

MODEL : LK-1941/LK-1942
List No : 1283-09

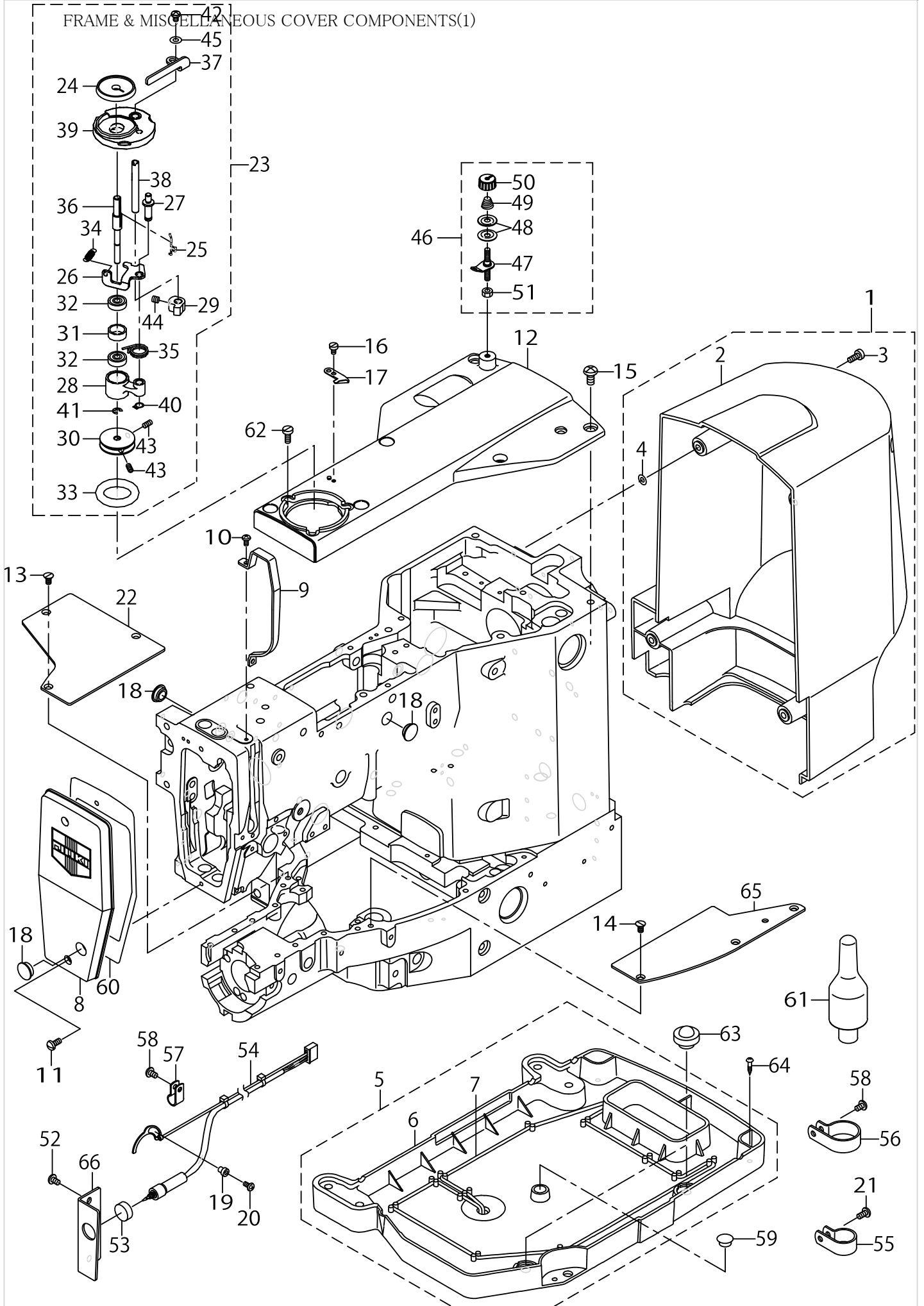
PARTS LIST

Published:08/22/2016

CONTENTS

FRAME & MISCELLANEOUS COVER COMPONENTS(1).....	1
FRAME & MISCELLANEOUS COVER COMPONENTS(2).....	5
MAIN SHAFT & NEEDLE BAR COMPONENTS.....	7
PRESSER LIFTER COMPONENTS.....	11
PRESSER MECHANISM COMPONENTS(FOR LK-1942).....	13
SHUTTLE DRIVER SHAFT & HOOK SHAFT COMPONENTS.....	17
WIPER MECHANISM COMPONENTS.....	21
TENSION RELEASE & THREAD TENSION COMPONENTS.....	23
TENSION RELEASE & THREAD TRIMMER MECHANISM COMPONENTS(1).....	27
TENSION RELEASE & THREAD TRIMMER MECHANISM COMPONENTS(2).....	29
FEED MECHANISM COMPONENTS.....	31
CLOTH FEED MECHANISM COMPONENTS.....	35
LUBRICATION COMPONENTS.....	37
THREAD STAND COMPONENTS (EXCEPT FOR AW-2D).....	39
CONTROL BOX COMPONENTS.....	41
OPERATION BOX & PEDAL COMPONENTS.....	43
HEATER UNIT COMPONENTS (Z TYPE).....	45
EXTENSION CABLE COMPONENTS.....	47
WIRING DIAGRAM.....	49
ACCESSORIE PART COMPONENTS.....	51
TABLE COMPONENTS (EXCEPT FOR AW-2D).....	55
OPTIONAL PART COMPONENTS(1).....	57
OPTIONAL PART COMPONENTS(2).....	61
LIST FOR INFORMATION OF CHANGE.....	63

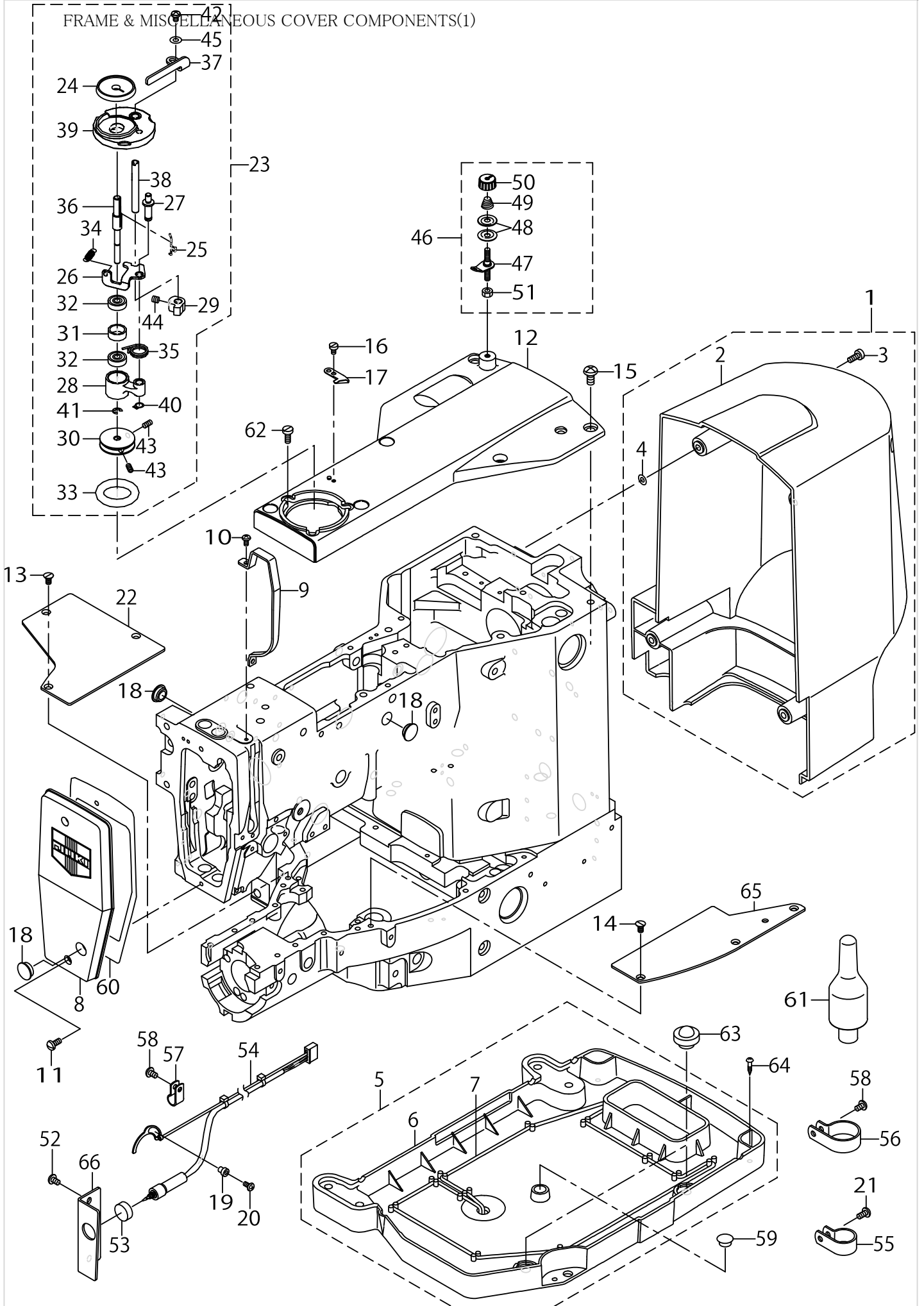
FRAME & MISCELLANEOUS COVER COMPONENTS(1)



FRAME & MISCELLANEOUS COVER COMPONENTS(1)

No.	C- ons	Le- vel	Parts No.	Replacement	Supply Code	Parts name	Qty	R- ep- Q- TY	Status	Spec	Remarks
1			14100457			MOTOR COVER ASM.	1				
2		*	14100408	14100457		MOTOR COVER	1	1.00			
3		*	SS6111140SP			SCREW 11/64-40 L=11	4				
4		*	M8002430000			STOPPER	4				
5			14100754			OIL PAN ASM.	1				
6		*	14100705	14100754		OIL PAN	1	1.00			
7		*	CQ252200000			OIL WICK	1				
8			26211755			FACE COVER ASM.	1				
9			26211607			BALANCE COVER	1				
10			SS4090715SP			SCREW 9/64-40 L=7	2				
11			SS4111015SP			SCREW 11/64-40 L=10	2				
12			14100309			TOP COVER	1				
13			SS1110840SP			SCREW 11/64-40 L=8	3				
14			SS1110840SP			SCREW 11/64-40 L=8	3				
15			SS4151215SP			SCREW 15/64-28 L=12	6				
16			SS4090715SP			SCREW 9/64-40 L=7	1				
17			10502300			THREAD CUTTER	1				
18			TA1250406R0			RUBBER PLUG D=12.5 L=4	3				
19			B2703210000			BUSHING	1				
20			SS4090715SP			SCREW 9/64-40 L=7	1				
21			SS4110915SP			SCREW 11/64-40 L=9	1				
22			14200802			BED COVER A	1				
23			40020225			BOBBIN WINDER UNIT	1				
24		*	14443006	40020225		BOBBIN SEAT	1	1.00			
25		*	14443105			BOBBIN STOPPER SPRING	1				
26		*	26260208			BTW_CAM_PLATE	1				
27		*	26260307			BTW_BASE_SHAFT	1				
28		*	26260406			BTW_SHAFT_BASE	1				
29		*	26260505			BTW_CAM_LEVER	1				
30		*	26260604			BTW_WHEEL	1				
31		*	26260802	26260000		BTW_BEARING_SPACER	1	1.00			
32		*	26261305	26260000		BTW_BEARING	2	1.00			
33		*	26261503			BTW_WHEEL_RUBBER	1				
34		*	26261701			BTW_SPRING	1				
35		*	40011144			BTW_TORSION_SPRING	1				
36		*	40022222			BTW_SHAFT	1				
37		*	40022224			BTW_LEVER	1				
38		*	40222225			BTW_LEVER_SHAFT	1				
39		*	40022226			BTW_BASE	1				
40		*	RC0560711KP			RETAINING RING	1				
41		*	RE0400000K0			E-RING 4	1				
42		*	SM5030655SN			SCREW M3X0.5 L=6	1				
43		*	SM8040802TP			SCREW M4X8	2				
44		*	SM8050502TP			SCREW M5 L=5	1				
45		*	WP0330516SC			WASHER 3.3X8X0.5	1				
46			23636657			BOBBIN THREAD TENSION	1				
47		*	14113450			BOBBIN THREAD TENSION	1				
48		*	B3126012000	22921506		THREAD TENSION DISK	2	1.00			
49		*	D7133555B00			CONNECTING ROD SPRING	1				
50		*	11072402			THREAD TENSION NUT	1				
51		*	NS6110530SP			NUT 11/64-40	1				
52			SS4110715SP			SCREW 11/64-40 L=7	2				
53			HA001690010			SWITCH	1				
54			14220750			SWITCH CABLE ASM.	1				
55			HX00150000N			CABLE CLIP	1				
56			HX00150000J			CLIP	1				
57			HX00150000E			CORD PRESSER 3-POLE (2:	3				
58			SS4110715SP			SCREW 11/64-40 L=7	4				
59			TA1050504R0			RUBBER PLUG	1				
60			13502307			FACE PACKING	1				

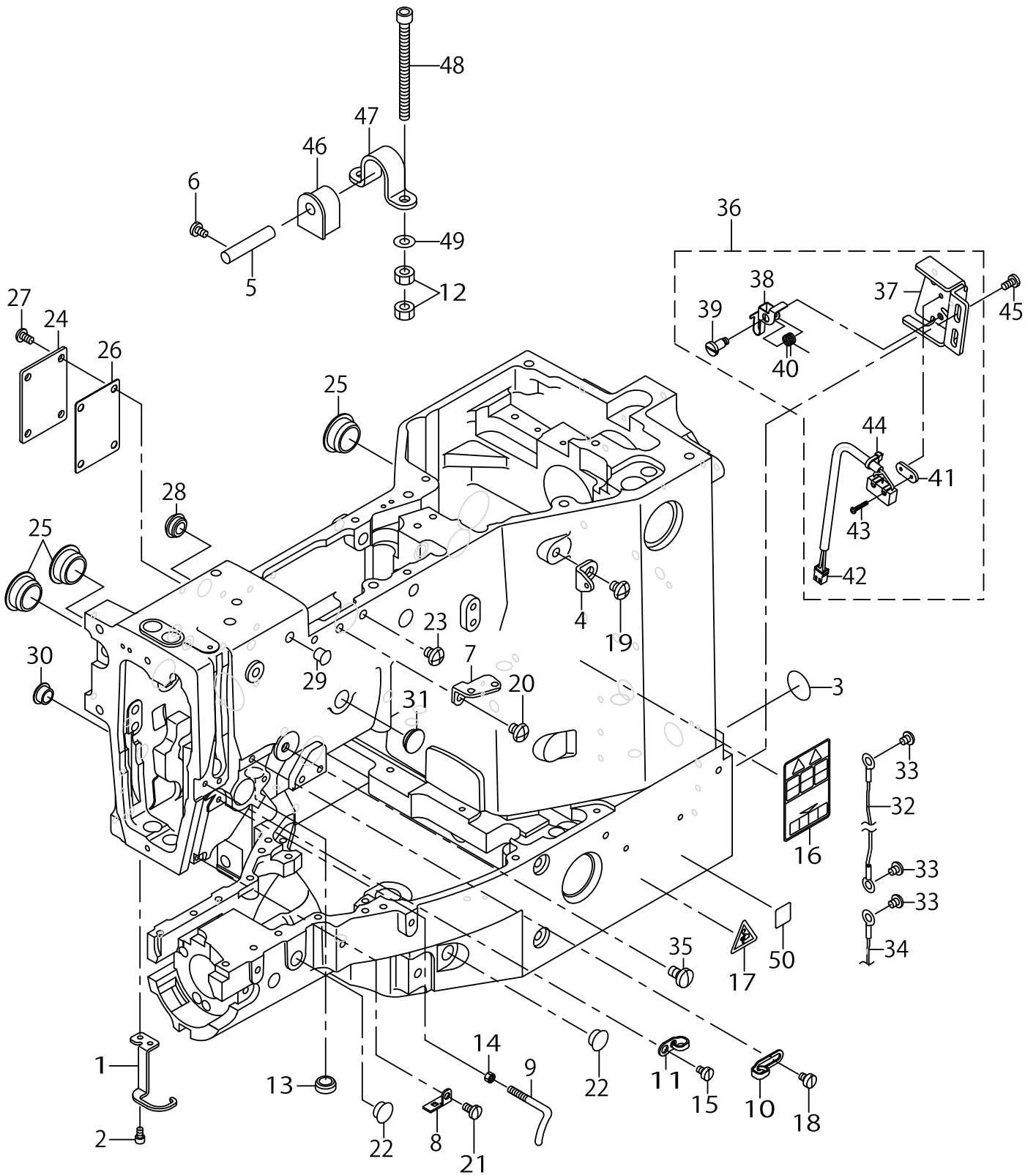
FRAME & MISCELLANEOUS COVER COMPONENTS(1)



FRAME & MISCELLANEOUS COVER COMPONENTS(1)

No.	C- ons	Le- vel	Parts No.	Replacement	Supply Code	Parts name	Qty	R- ep. Q- TY	Status	Spec	Remarks
61			14101208			HEAD SUPPORT BAR	1				
62			SS6111140SP			SCREW 11/64-40 L=11	3				
63			B1116210D00			FRAME SUPPORT RUBBER	2				
64			SK3382001SE			SCREW D=3.8 L=20	4				
65			14200901			BED COVER B	1				
66			14220503			SWITCH INSTALLING PLAT	1				

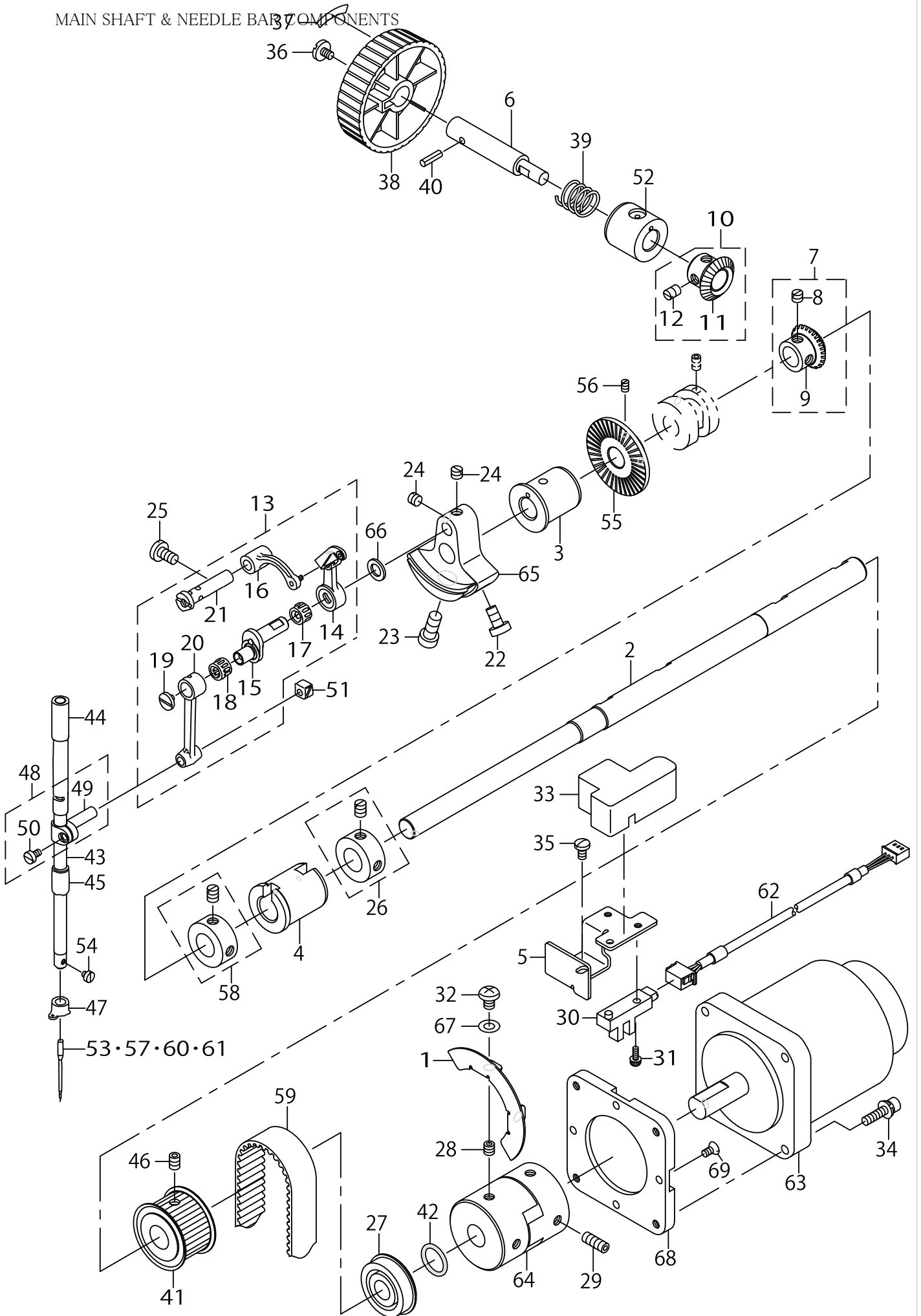
FRAME & MISCELLANEOUS COVER COMPONENTS(2)



FRAME & MISCELLANEOUS COVER COMPONENTS(2)

No.	C- ons	Le- vel	Parts No.	Replacement	Supply Code	Parts name	Qty	R- ep. Q- TY	Status	Spec	Remarks
1			14201602			FINGER GUARD(1910)	1				FOR LK-1941
2			SS6090612TP			SCREW 9/64-40 L=6	2				FOR LK-1941
3			22901805			GROUND MARK	1				
4			40010414			THREAD_GUIDE_NO.1	1				
5			40009290			HINGE STUD	2				
6			SS7110730SP			SCREW 11/64-40 L= 6.5	2				
7			26211904			THREAD GUIDE PLATE	1				
8			B1129210000			FRAME THREAD GUIDE (B)	1				
9			B1125215P00			L-SHAPED THREAD GUIDE	1				
10			22920508			ARM THREAD GUIDE A	1				
11			13705108			TAKE-UP THREAD GUIDE	1				
12			NM6060001SC			NUT M6	8				
13			TA1270502R0			RUBBER PLUG	1				EXCEPT H TYP
14			11404308			NUT	1				
15			SS6110610TP			SCREW 11/64-40 L=6	1				
16			CM301200001			SAFETY LABEL_S	1				
17			CM300200002			CAUTION LABEL(25)	3				
18			SS6110610TP			SCREW 11/64-40 L=6	1				
19			SS4150715SP			SCREW 15/64-28 L=7	1				
20			SS4150715SP			SCREW 15/64-28 L=7	1				
21			SS7110840SP			SCREW 11/64-40 L=7.8	1				
22			TA1050504R0			RUBBER PLUG	2				
23			SS4150715SP			SCREW 15/64-28 L=7	1				
24			B1123210D00			COVER	1				
25			TA2100904R0			RUBBER PLUG	3				
26			B1125210D00			COVER GASKET	1				
27			SS4110815SP			SCREW 11/64-40 L=8	4				
28			TA1250406R0			RUBBER PLUG D=12.5 L=4	1				H TYPE
29			TA0750704R0			RUBBER PLUG	2				H TYPE
30			TA1050504R0			RUBBER PLUG	1				FOR LK-1942
31			TA1250406R0			RUBBER PLUG D=12.5 L=4	1				FOR LK-1942
32			14115653			HEAD GROUND CABLE B /	1				
33			SS4110515SP			SCREW 11/64-40 L=5	3				
34			M90195800A0			EARTH CABLE ASM.	1				
35			SS7161040SP			SCREW 1/4-24 L= 9.5	1				H TYPE
36			14442552			SAFETY SWITCH ASM.	1				
37		*	14442503	14442552		SAFETY SWITCH BASE	1	1.00			
38		*	23638109			SAFETY SWITCH ARM	1				
39		*	23638307			SAFETY SWITCH ARM SHA	1				
40		*	23638208	23638059		SAFETY SWITCH SPRING	1	1.00			
41		*	23638406	23638059		SAFETY SWITCH NUT	1	1.00			
42		*	14442651			SAFETY SWITCH CORD AS	1				
43		*	SM4021201SC			SCREW M2 L=12	2				
44		*	EA9500B0100			CABLE BAND	1				
45			SS7110840SP			SCREW 11/64-40 L=7.8	2				
46			B1115210D00			HINGE RUBBER	2				
47			B1111210D00			BED HINGE	2				
48			SM6067552TP			HEXAGONAL-HOLE BOLT	4				
49			WP0651646SC			WASHER	4				
50			CM600100101			WEEE MARK LABEL S	1				FOR JE

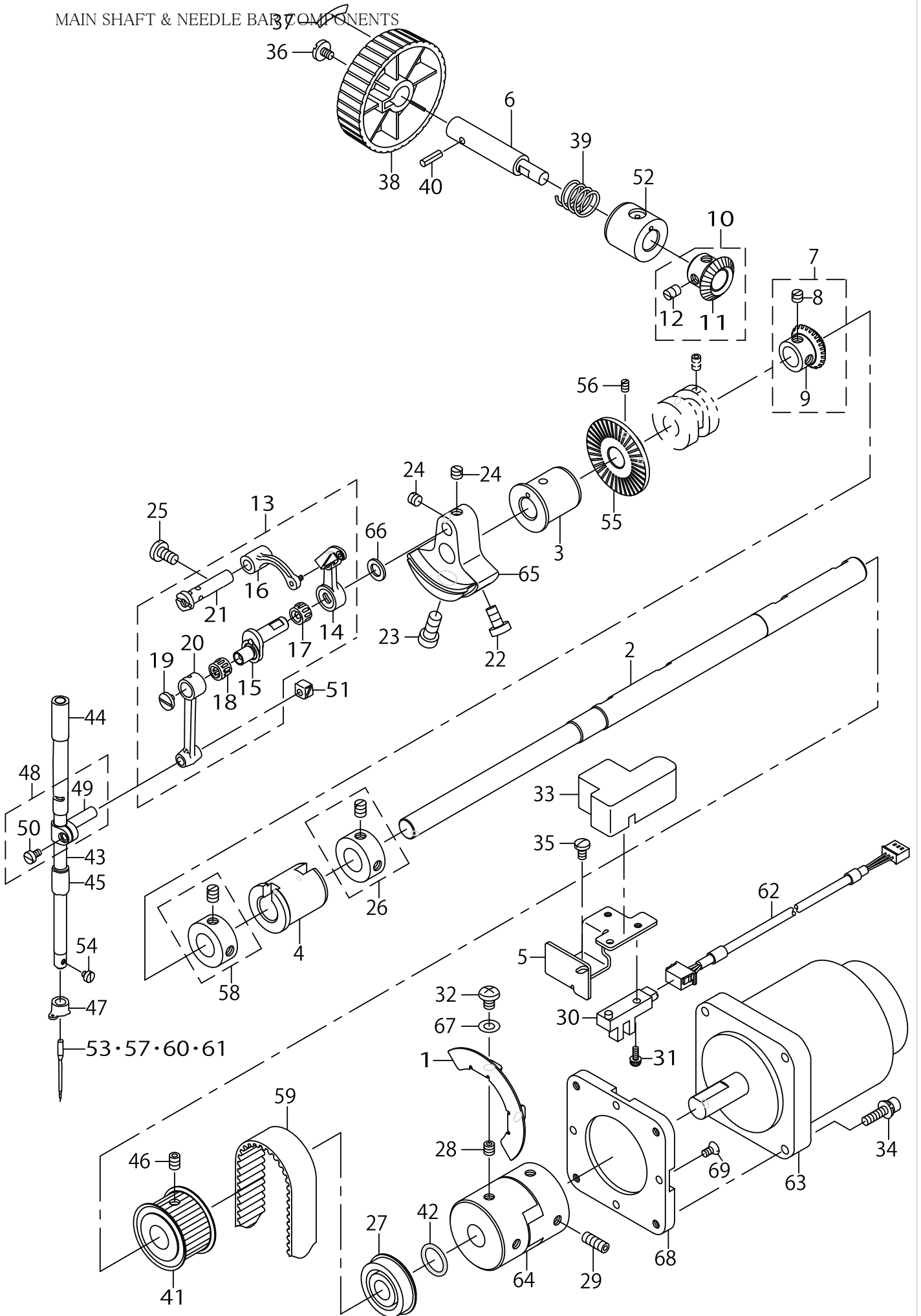
MAIN SHAFT & NEEDLE BAR COMPONENTS



MAIN SHAFT & NEEDLE BAR COMPONENTS

No.	C- ons	Le- vel	Parts No.	Replacement	Supply Code	Parts name	Qty	R- ep. Q- TY	Status	Spec	Remarks
1			14102404			MAIN SHAFT SLIT PLATE	1				
2			14431407			MAIN SHAFT	1				
3			B1202210000			BUSHING, FRONT	1				
4			B1203215000			BUSHING INNER	1				
5			14102503			SENSOR INSTALLING BASE	1				
6			14431704			NEAR PULLEY SHAFT	1				
7			14431852			NEAR PULLEY GEAR A ASM	1				
8		*	SS8660330SP			SCREW 1/4-40 L= 3.0	2				
9		*	14431803			HAND PULLEY GEAR A	1				
10			B13061550A0			PINION ASM.	1				
11		*	B1306155000	B13061550A0		PINION	1	1.00			
12		*	SS8660810TP			SCREW 1/4-40 L=8	2				
13			14432157			THREAD TAKE-UP LEVER	1				
14		*	B1901210DA0			THREAD TAKE-UP LEVER	1				
15		*	14432009		Disconinue	NEEDLE BAR CRANK	1				
16		*	B1903210000	B19012100C0		THREAD TAKE-UP CRANK	1	1.00			
17		*	B1905541000	B1905541A00		NEEDLE BUSHING	1	1.00	選択部品	A:ローラー径2φ	
17		*	B1905541000	B1905541B00		NEEDLE BUSHING	1	1.00	選択部品	B::ローラー径2φ	
17		*	B1905541000	B1905541C00		NEEDLE BUSHING	1	1.00	選択部品	C::ローラー径2φ	
17		*	B1905541000	B1905541D00		NEEDLE BUSHING	1	1.00	選択部品	D::ローラー径2φ	
18		*	B1411804000	B1411804A00		NEEDLE DRIVING LEVER B	1	1.00	選択部品	A:	
18		*	B1411804000	B1411804B00		NEEDLE DRIVING LEVER B	1	1.00	選択部品	B:	
18		*	B1411804000	B1411804C00		NEEDLE DRIVING LEVER B	1	1.00	選択部品	C:	
18		*	B1411804000	B1411804D00		NEEDLE DRIVING LEVER B	1	1.00	選択部品	D:	
19		*	B1903552000			LEFT SCREW	1				
20		*	B1404280000			NEEDLE BAR CRANK ROD	1				
21		*	B1904280000		Disconinue	BALANCE CRANK PIN	1				
22			SS6151412TP			SCREW 15/64-28 L=14	1				
23			SS6681712TP			SCREW 9/32-28 L=16.5	1				
24			SS8660512TP			SCREW 1/4-40 L=5	2				
25			SS7151120SP			SCREW 15/64-28 L=11	1				
26			22904155			MAIN SHAFT THRUST COL	1				
27			G1216870000			UPPER SHAFT REAR BEAR	1				
28			SM8060612TP			SCREW M6 L=6	2				
29			SM8061612TP			SCREW M6X16	2				
30			HD002230000			PHOTO SENSOR	1				
31			SL4041291SC			SCREW M4 L=12	1				
32			SM4060801SE			SCREW	2				
33			14114508			MAIN SHAFT SENSOR COV	1				
34			SL6052092TN			SCREW	4				
35			SS7110840SP			SCREW 11/64-40 L=7.8	1				
36			A1230500000A			HANDWHEEL SETSCREW	1				
37			B1144210000			REVOLVING DIRECTION L	1				
38			B1212210D00			PULLEY	1				
39			GAF01007000			SPRING	1				
40			PS0400142KH			SPRING PIN 4X14	1				
41			14404107			DRIVING SPROCKET	1				
42			RO154240100			RUBBER RING	1				
43			14432702			NEEDLE ROD	1				
44			26203208			NEEDLE ROD METAL	1				
45			B1403280000			NEEDLE ROD LOWER MET	1				
46			SM8060812TP			SCREW M6 L=8	2				
47			B1406210000	40026884		THREAD GUIDE	1	1.00			
48			22906457			NEEDLE BAR HOLDER ASM	1				
49		*	22906408	22906457		NEEDLE ROD HOLDER	1	1.00			
50		*	SS6090670TP			SCREW 9/64-40 L=6	1				
51			B1414232000			SQUARE BLOCK	1				
52			26212803			UPPER SHAFT INNER MET.	1				
53			MDP170B2500			NEEDLE DPX17 #25	1				Z TYPE(FOR US
54			SS7080510TP			SCREW 1/8-44 L=4.5	1				

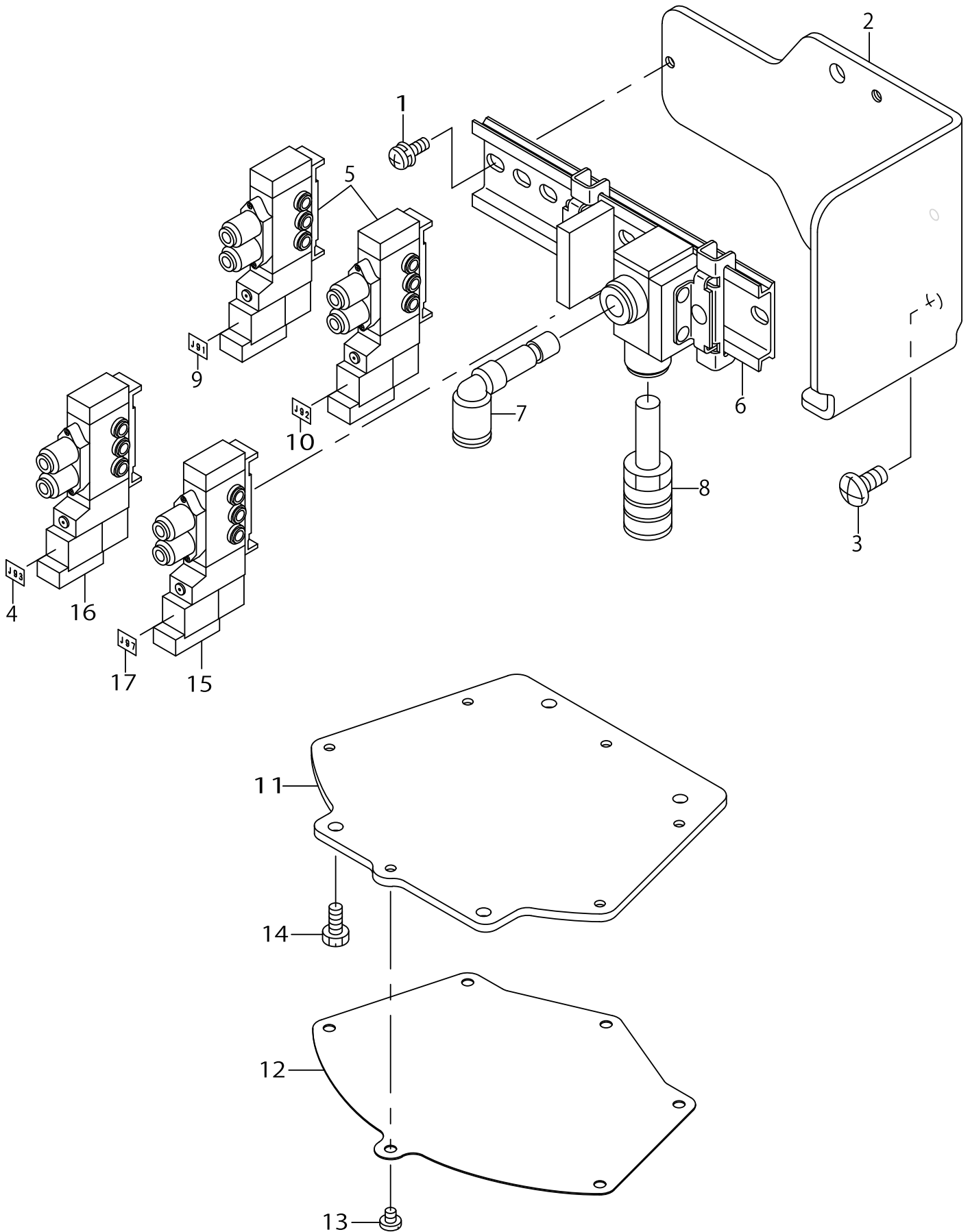
MAIN SHAFT & NEEDLE BAR COMPONENTS



MAIN SHAFT & NEEDLE BAR COMPONENTS

No.	C- ons	Le- vel	Parts No.	Replacement	Supply Code	Parts name	Qty	R- ep. Q- TY	Status	Spec	Remarks
55			40026917			BTW DRIVING WHEEL	1				
56			SM8040600SP			SCREW	2				
57			MDP170B1800			NEEDLE DPX17 #18	1				H TYPE
58			CS147121ESH			THRUST COLLAR ASM.D=1	1				
59			14431605			TIMING BELT	1				
60			MDP170B2300			NEEDLE DPX17 #23	1				G TYPE
61			MDP170B2600			NEEDLE DPX17 #26	1				Z TYPE(FOR EX
62			14115356			UPPER SHAFT SENSOR CA	1				
63			40053326			SERVO MOTOR 550W	1				
64			B1231210D00			COUPLING	1				
65			14431902			COUNTER WEIGHT	1				
66			B1223771000			NEEDLE ROD CRANK WAS	1				
67			WS0610002KN			SPRING WASHER 6.1X12.2M	2				
68			40045548			MOTOR INSTALLING BRAC	1				
69			SS1110840SP			SCREW 11/64-40 L=8	4				

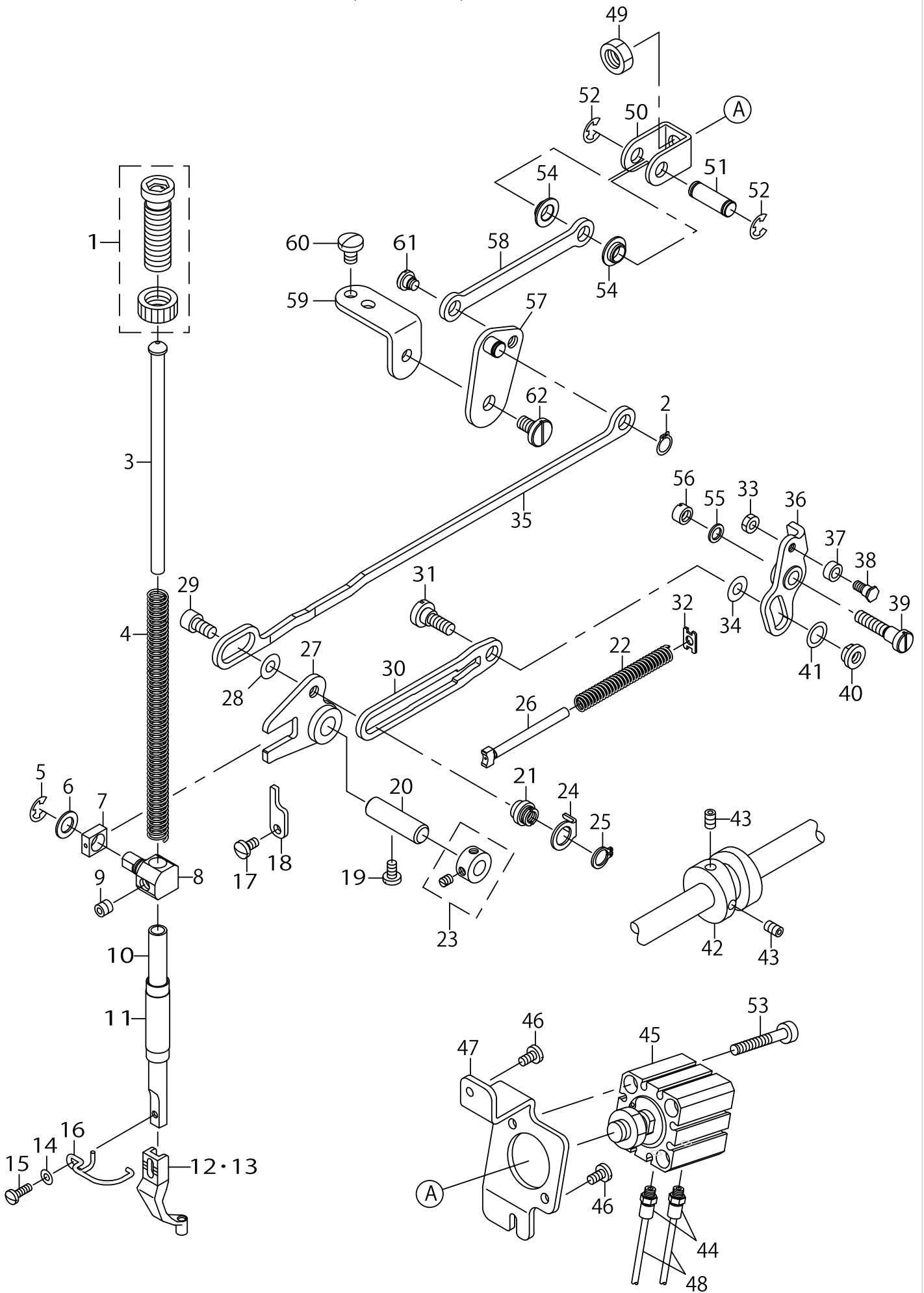
PRESSER LIFTER COMPONENTS



PRESSER LIFTER COMPONENTS

No.	C- ons	Le- vel	Parts No.	Replacement	Supply Code	Parts name	Qty	R- ep. Q- TY	Status	Spec	Remarks
1			SL4041291SC			SCREW M4 L=12	2				
2			14204911			FITTING BASE	1				
3			SS4151215SP			SCREW 15/64-28 L=12	2				
4			E2993453000			CONNECTOR MAKER J93	1				
5			PV150209000			5 PORT SOLENOID VALVE	2				
6			PV915005000			SOLENOID VALVE INSTAL	1				
7			PJ304060001			ELBOW	1				
8			PX050003000			SILENCER	1				
9			E2691453000			CONNECTOR MAKER J91	1				
10			E2692453000			CONNECTOR MAKER J92	1				
11			14203806			PRESSER PLATE(AIR)	1				
12			14203905			PRESSER PLATE SHEET	1				
13			SS7090410SP			SCREW 9/64-40 L= 3.5	6				
14			SS9111010SP			SCREW 11/64-40 L=9.5	4				
15			PV150209000			5 PORT SOLENOID VALVE	1				
16			PV150209000			5 PORT SOLENOID VALVE	1				FOR LK-1942
17			E2697453000			CONNECTOR MAKER J97	1				

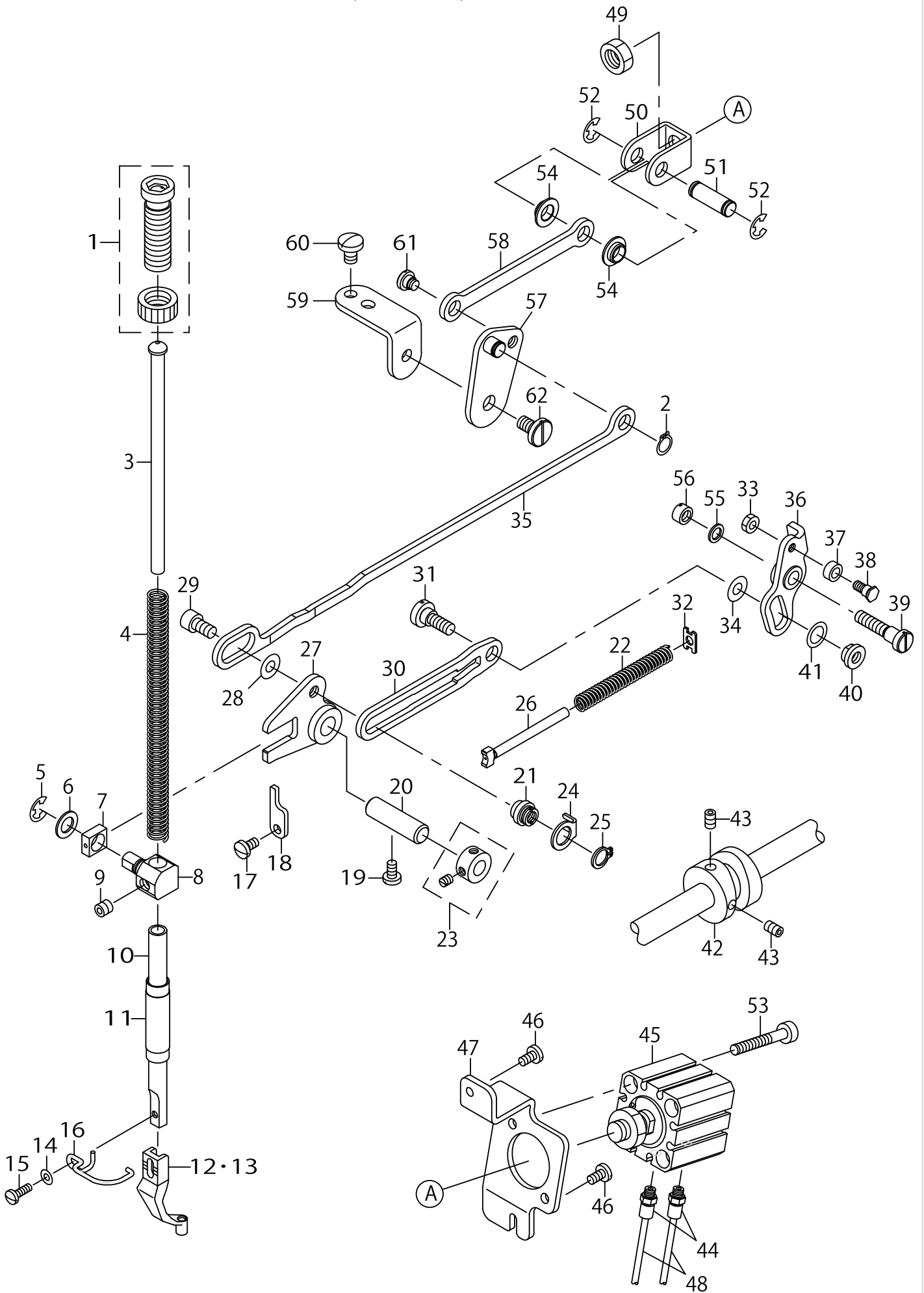
PRESSER MECHANISM COMPONENTS(FOR LK-1942)



PRESSER MECHANISM COMPONENTS(FOR LK-1942)

No.	C- ons	Le- vel	Parts No.	Replacement	Supply Code	Parts name	Qty	R- ep- Q- TY	Status	Spec	Remarks
1			22907554			PRESSER SPRING REGULA1	1				
2			RC0740811KP			C-RING	1				
3			14208409			PRESSER GUIDE BAR	1				
4			14434500			INNER PRESSER SPRING	1				
5			RE0600000K0			E-RING 6	1				
6			B255728000B			WASHER	1				
7			22684906			NEEDLE BAR GUIDE BLOC	1				
8			14434609			INNER PRESSER BAR HOLL	1				
9			SS8660612TP			SCREW 1/4-40 L=6	1				
10			26502906			PRESSER BAR	1				
11			40014007			PRESSER BAR BUSHING LC	1				
12			B160122000J			INNER PRESSER J	1				H TYPE
13			14433601			INNER PRESSER K	1				G TYPE
14			WP0371016SD			WASHER 3.7X8X1	1				
15			SS7091110TP			SCREW 9/64-40 L=10.5	1				
16			B1634210D00			FINGER GUARD	1				
17			SS7110840SP			SCREW 11/64-40 L=7.8	1				
18			14434708		Disconinue	INNER PRESSER LINK STOF	1				
19			SS7110810SP			SCREW 11/64-40 L= 8.0	1				
20			PH1000332SH			PIN 10X33	1				
21			14434401			INNER PRESSER ROD PIN	1				
22			14434005		Disconinue	INNER PRESSER ROD SPRIN	1				
23			CS100081CSP			THRUST COLLAR ASM.	1				
24			14434203			ROD SPRING HOLDER A	1				
25			RC0841011KP			RETAINING RING 8.4	1				
26			14434104			ROD SPRING GUIDE BAR	1				
27			14433858			INNER PRESSER LINK COM	1				
28			WP0600816SP			WASHER	1				
29			SS6151142TP			SCREW 15/64-28 L=10.5	1				
30			14433908			INNER PRESSER ROD	1				
31			SD0800431SP			HINGE SCREW D= 8 H=4.	1				
32			14434302			ROD SPRING HOLDER B	1				
33			NS6110420SP			NUT 11/64-40	1				
34			WP0612066SP			WASHER 6.1X11X2	1				
35			40025746			LINK	1				
36			14206650			DRIVE ARM COMPL.	1				
37			D2587L8WB00			ROLLER	1				
38			14209308			INNER PRESSER ROLLER SI	1				
39			40031323			HINGE SCREW	1				
40			B1633210D00			ADJUSTING NUT	1				
41			WP0951016SP			WASHER 9.53X15X1	1				
42			14434807			INNER PRESSER CAM	1				
43			SM8050812TP			SCREW M5X8	2				
44			PJ032052503			HOSE NIPPLE	2				
45			PA2501506A0			AIR CYLINDER	1				
46			SS7110840SP			SCREW 11/64-40 L=7.8	2				
47			40045549			CYLINDER FITTING PLATE	1				
48			BT0400251EB			URETHANE HOSE, BLACK	.3				
49			NM6540023SB			NUT	1				
50			13860200			CYLINDER PUSHING PLATI	1				
51			13860606			PIN	1				
52			RE0600000K0			E-RING 6	2				
53			SM6053502TP			BOLT	2				
54			E1612173000			FLANGE BUSH (0803)	2				
55			WP0621026SP			WASHER 6.2X9.5X1	1				
56			40031324			NUT	1				
57			40045550			CONNECTING LINK COMP	1				
58			40045552			INNER PRESSER ROD	1				
59			40045553			LINK BRACKET	1				
60			SS7150910TP			SCREW 15/64-28 L=9	2				

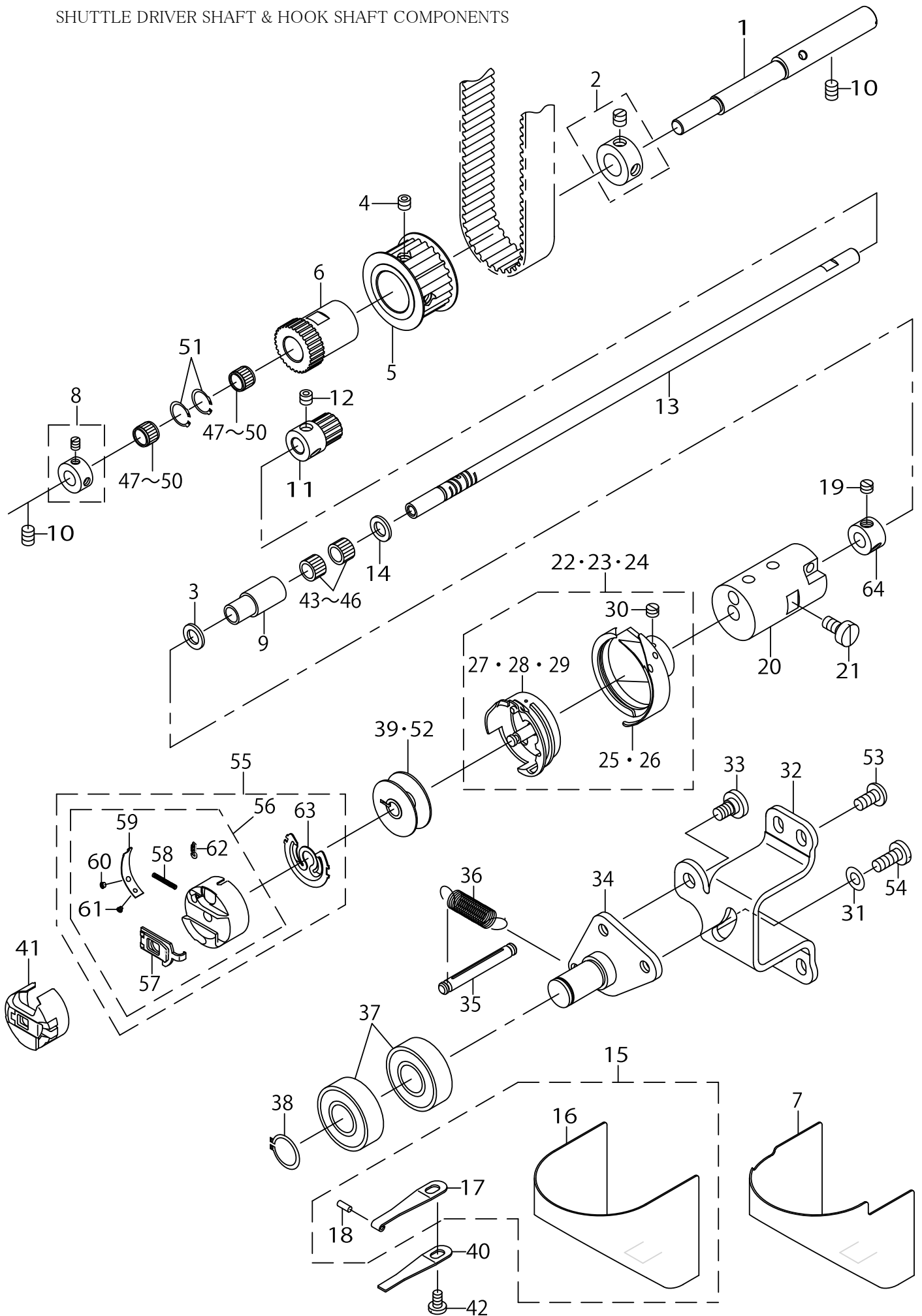
PRESSER MECHANISM COMPONENTS(FOR LK-1942)



PRESSER MECHANISM COMPONENTS(FOR LK-1942)

No.	C- ons	Le- vel	Parts No.	Replacement	Supply Code	Parts name	Qty	R- ep- Q- TY	Status	Spec	Remarks
61 62			SD0800341SP SD0800321TH			HINGE SCREW D=8 H=3.4 HINGE SCREW D=8 H=3.2	1 1				

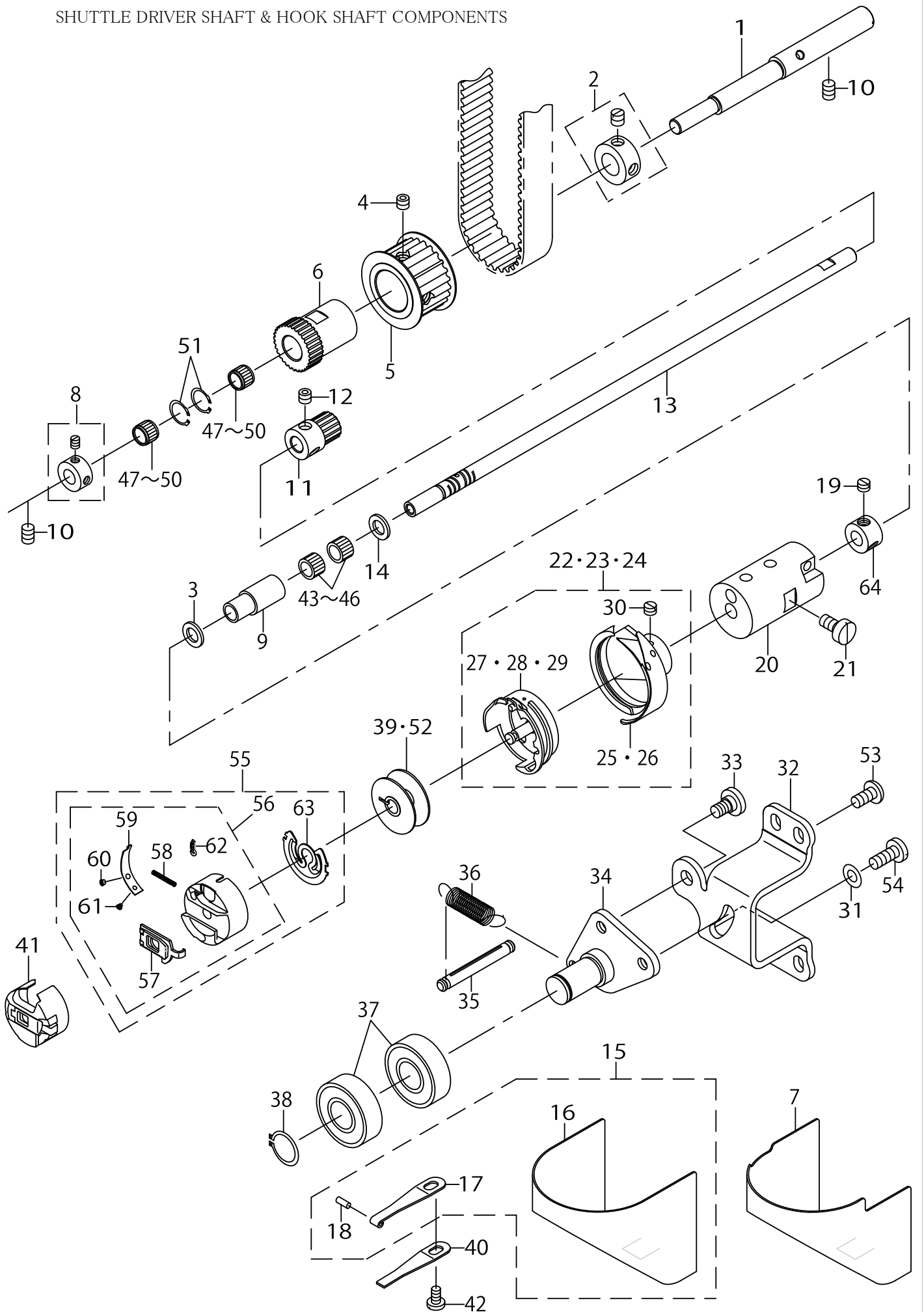
SHUTTLE DRIVER SHAFT & HOOK SHAFT COMPONENTS



SHUTTLE DRIVER SHAFT & HOOK SHAFT COMPONENTS

No.	C- ons	Le- vel	Parts No.	Replacement	Supply Code	Parts name	Qty	R- ep. Q- TY	Status	Spec	Remarks
1			14435507			SHUTTLE DRIVER SHAFT	1				
2			CS1201010SH			THRUST COLLAR ASM. D=	1				
3			B1223771000			NEEDLE ROD CRANK WAS	1				
4			SS8660522TP			SCREW 1/4-40 L=4.5	2				
5			14435606			SHUTTLE DRIVER SHAFT S	1				
6			14435705			SHUTTLE DRIVER SHAFT C	1				
7			14435358			HOOK COVER ASM.	1				Z TYPE(EXCEPT
8			CS100081CSP			THRUST COLLAR ASM.	1				
9			13508403			LOWER SHAFT REAR MET.	1				
10			SS8150822TP			SCREW 15/64-28 L=8	2				
11			14435804			HOOK SHAFT GEAR	1				
12			SS8660522TP			SCREW 1/4-40 L=4.5	2				
13			14435903			HOOK SHAFT	1				
14			B1223771000			NEEDLE ROD CRANK WAS	1				
15			40086483	40142674		CYLINDER ARM CAP ASM.	1	1.00			
16		*	13816855	40086483		CYLINDER ARM CAP	1	1.00			
17		*	26221101			HOOK COVER PRESSER SF	1				
18		*	13508700			HOOK COVER PRESSER SF	1				
19			SS8660410SP			SCREW 1/4-40 L= 4.2	2				
20			14436000			HOOK SHAFT METAL	1				
21			SS6151220SP			SCREW 15/64-28 L=11.5	1				
22			14436158			LUBRICATION HOOK D AS	1				Z TYPE
23			14436554			LUBRICATION HOOK A AS	1				H TYPE
24			14436307			LUBRICATION HOOK C AS	1				G TYPE
25		*	14447106			OUTER HOOK AB	1				H TYPE
26		*	14447205			OUTER HOOK CD	1				G,Z TYPE
27		*	14447304			INNER HOOK A	1				H TYPE
28		*	14447403			INNER HOOK BC	1				G TYPE
29		*	14447502			INNER HOOK D	1				Z TYPE
30		*	SS6110560TP			SCREW 11/64-40 L=5	1				
31			WP0641601SD			WASHER M6	1				
32			14432306			IDLER FITTING PLATE	1				
33			SD0800321TH			HINGE SCREW D=8 H=3.2	1				
34			14432454			IDLER BASIS COMPL.	1				
35			13518501			SPRING SUSPENSION	1				
36			14432504			IDLER SPRING	1				
37			SB115000200			BEARING	2				
38			RC0150001KP			RETAINING RING 13.8	1				
39			40022188			BOBBIN ASM	1				FOR AW-2D
40			26221200			HOOK COVER PRESSER SF	1				EXCEPT FOR A
41			GAW02502AA0			BOBBIN CASE ASM.	1				FOR AW-2D
42			SS7110840SP			SCREW 11/64-40 L=7.8	1				
43			B1411804A00			NEEDLE DRIVING LEVER B	2				SELECTIVE PAF
44			B1411804B00			NEEDLE DRIVING LEVER B	1				SELECTIVE PAF
45			B1411804C00			NEEDLE DRIVING LEVER B	1				SELECTIVE PAF
46			B1411804D00			NEEDLE DRIVING LEVER B	1				SELECTIVE PAF
47			SB31000080A			BEARING	1				SELECTIVE PAF
48			SB31000080B			BEARING	1				SELECTIVE PAF
49			SB31000080C			BEARING	1				SELECTIVE PAF
50			SB31000080D			BEARING	1				SELECTIVE PAF
51			RC1411018KP			C RING	2				
52			14436406			BOBBIN	1				EXCEPT FOR A
53			SS4151215SP			SCREW 15/64-28 L=12	4				
54			SS7661540SP			SCREW 1/4-40 L=15.0	1				
55			14436257			BOBBIN CASE ASM.	1				EXCEPT FOR A
56		*	14436208	14436257		BOBBIN CASE	1	1.00			
57		*	14446207			PICK-UP ASM.	1				
58		*	14446306			PICK-UP SPRING	1				
59		*	14446405			THREAD TENSION SPRING	1				
60		*	14446504			SCREW	1				

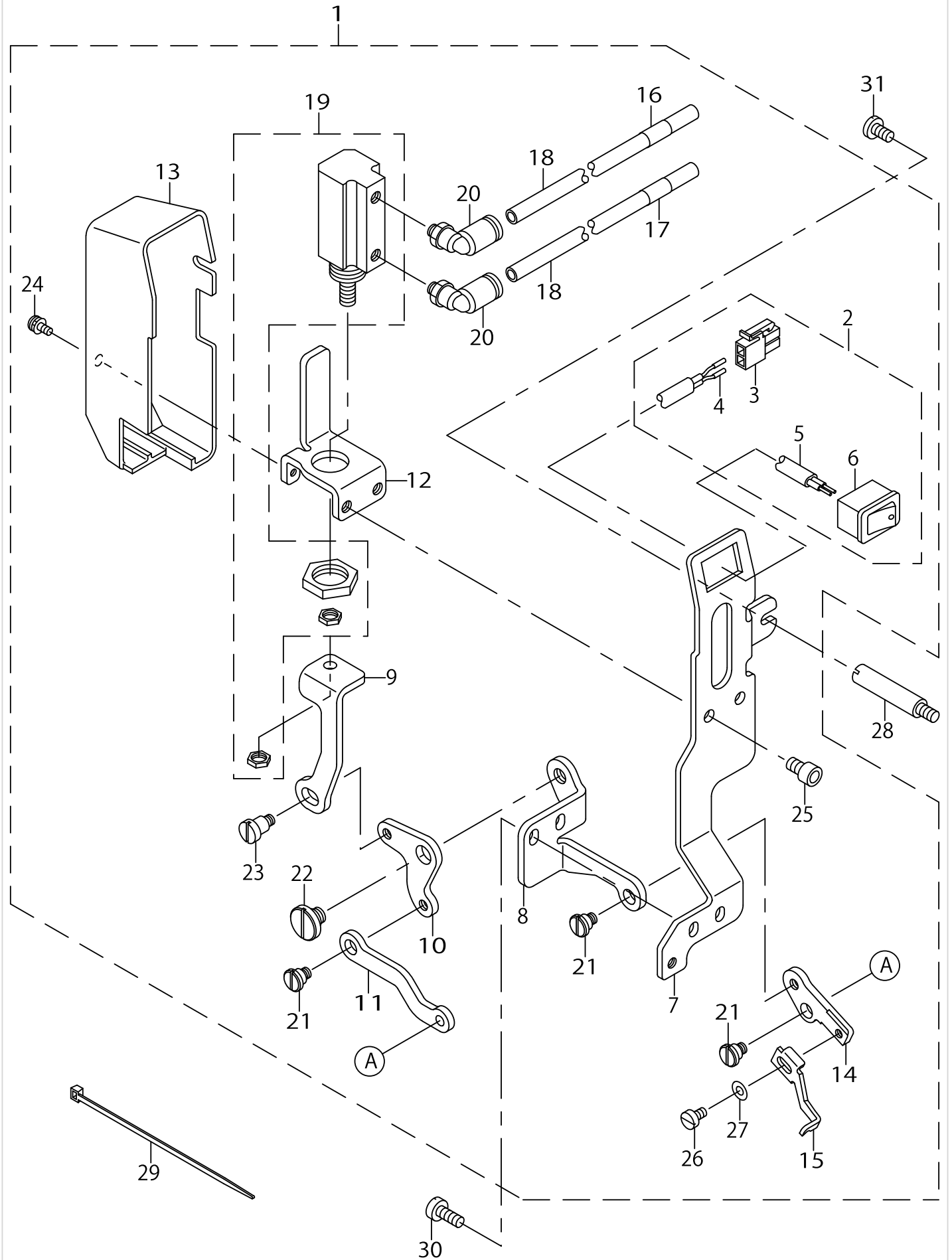
SHUTTLE DRIVER SHAFT & HOOK SHAFT COMPONENTS



SHUTTLE DRIVER SHAFT & HOOK SHAFT COMPONENTS

No.	C- ons	Le- vel	Parts No.	Replacement	Supply Code	Parts name	Qty	R- ep. Q- TY	Status	Spec	Remarks
61		*	14446603			SCREW	1				
62		*	40011360			THREAD GUIDE SPRING	1				
63		*	14435200			IDLING PREVENTION SPRING	1				
64			CS0801011TH			THRUST COLLAR D=8 W=1	1				

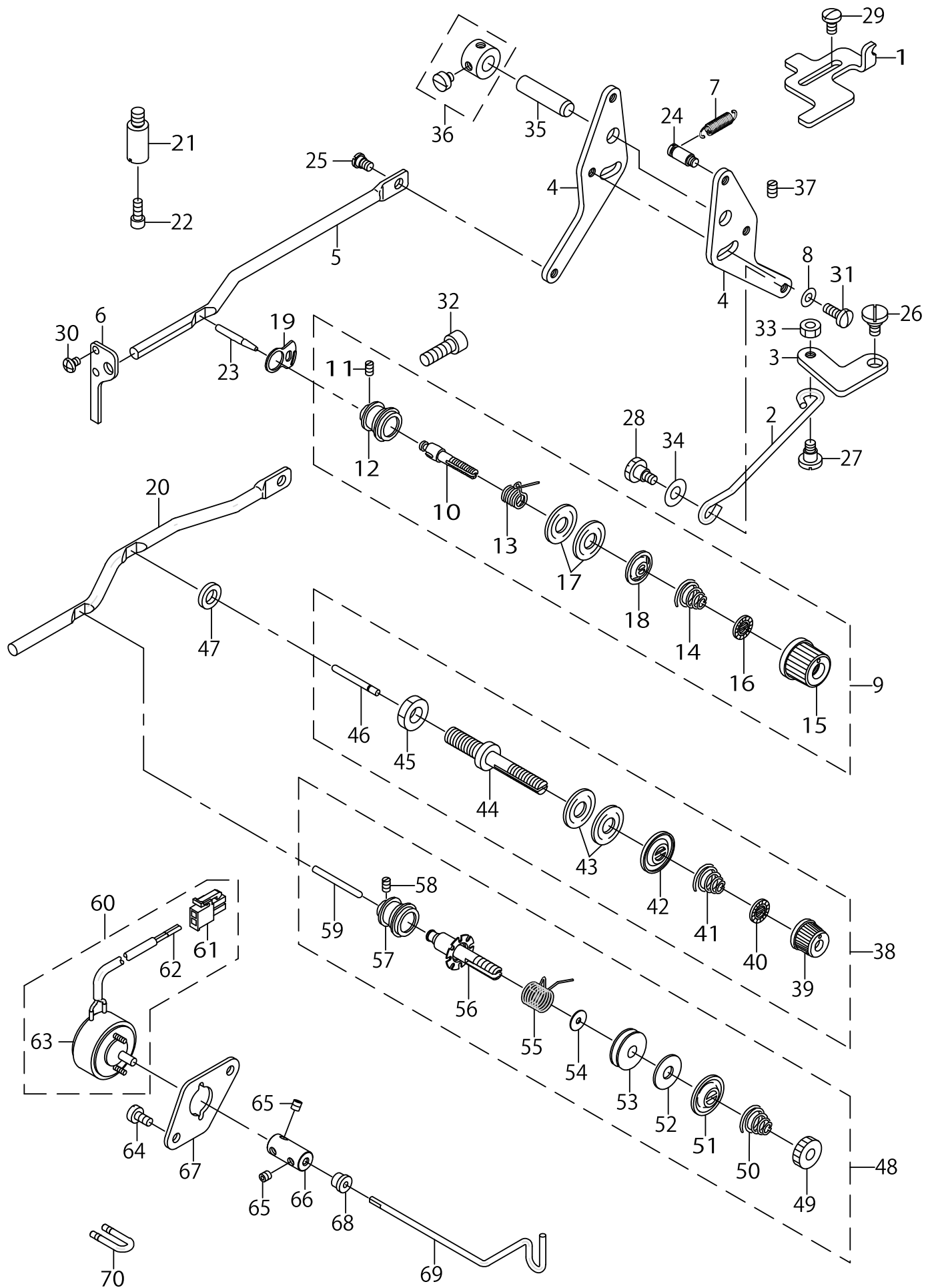
WIPER MECHANISM COMPONENTS



WIPER MECHANISM COMPONENTS

No.	C- ons	Le- vel	Parts No.	Replacement	Supply Code	Parts name	Qty	R- ep. Q- TY	Status	Spec	Remarks
1			14437651			WIPER ASM.	1				
2		*	14437750		Disconinue	WIPER SWITCH CABLE AS!	1				
3		*	HK034610020			2-POLE NYLON PLUG	1				
4		*	HK034640000			PIN CONTACT	2				
5		*	HW500070000			2-CORE CABTYRE CORD	1				
6		*	HA006000000			SWITCH	1				
7		*	14437800			WIPER BASE A	1				
8		*	14437909			WIPER BASE B	1				
9		*	14438006			WIPER LINK A	1				
10		*	14438105			WIPER LINK B	1				
11		*	14438204			WIPER LINK C	1				
12		*	14438303			WIPER CYLINDER FITTING	1				
13		*	11072709	22955504		WIPER COVER	1	1.00			
14		*	B2106220000			WIPER INSTALLING PLATE	1				
15		*	B2107210000			WIPER	1				
16		*	B471122000E			AIR TUBE LABEL J05	1				
17		*	B471122000F			AIR TUBE LABEL J06	1				
18		*	BT0400251EB			URETHANE HOSE, BLACK	1.5				
19		*	PA1501515A0			AIR CYLINDER	1				
20		*	PJ304040504			ELBOW UNION	2				
21		*	SD0640321SP			HINGE SCREW D= 6.35 H=	3				
22		*	SD0800331TH			HINGE SCREW D=8 H=3.25	1				
23		*	SD0640602SP			HINGE SCREW D= 6.35 H=	1				
24		*	SL4030891SC			SCREW M3X8	1				
25		*	SM6050802TP			SCREW M5X0.8 L=8	2				
26		*	SS6090630TP			SCREW 9/64-40 L=6	1				
27		*	WP0371016SD			WASHER 3.7X8X1	1				
28			22924005			PUMP BODY STRUT	1				
29			EA9500B0100			CABLE BAND	1				
30			SS6111140SP			SCREW 11/64-40 L=11	2				
31			SS7110840SP			SCREW 11/64-40 L=7.8	1				

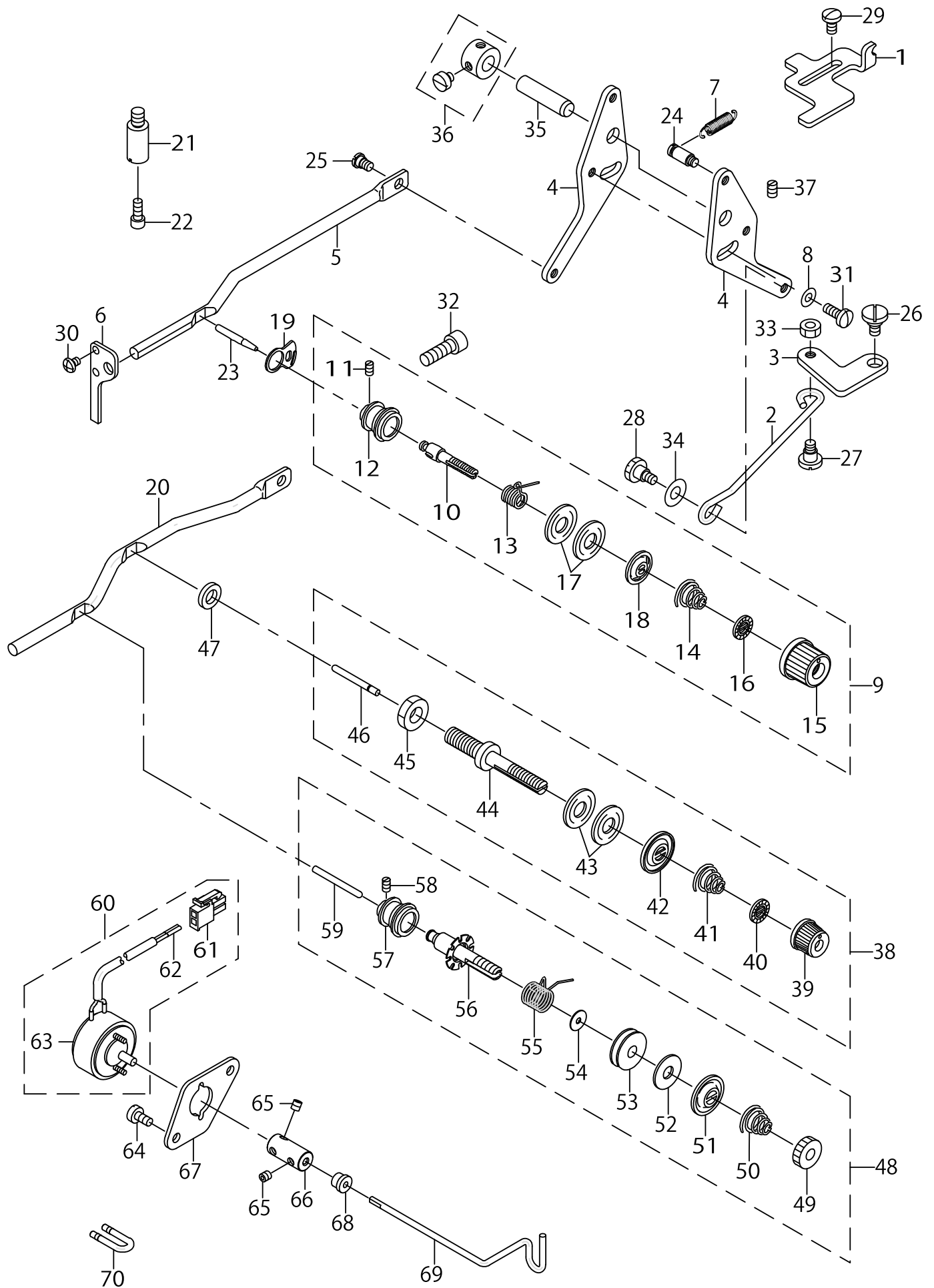
TENSION RELEASE & THREAD TENSION COMPONENTS



TENSION RELEASE & THREAD TENSION COMPONENTS

No.	C- ons	Le- vel	Parts No.	Replacement	Supply Code	Parts name	Qty	R- ep. Q- TY	Status	Spec	Remarks
1			14107502			STOPPER	1				
2			14107700			CONNECTING BAR	1				
3			B2304210D00			TENSION RELEASE LINK	1				
4			26500900			TENSION RELEASE ADJUST	2				
5			26501304			THREAD TENSION CONNE	1				H TYPE
6			26218404			THREAD TENSION ARM	1				
7			B2545280000			PRESSURE SPRING	1				
8			WP0482086SD			WASHER 4.8X11.5X2	1				
9			B23022050AA			SECOND THREAD TENSIO	1				H TYPE
10		*	B2302280000			SECOND THREAD TENSIO	1				
11		*	SS8090610SP			SCREW 9/64-40 L=5.9	1				
12		*	B2313280000			THREAD TENSION ROD, L	1				
13		*	D3112L4BB00			TAKE-UP SPRING (HEAVY)	1				
14		*	B2305205000			TENSION SPRING	1				
15		*	13817408			THREAD TENSION NUT	1				
16		*	B3120125000			ROTATING STOPPER	1				
17		*	B3126012000	22921506		THREAD TENSION DISK	2	1.00			
18		*	B3132552000			THREAD TENSION DISK PF	1				
19			B2702210000			GUIDE PLATE	1				
20			14438709			THREAD TENSION CONNE	1				EXCEPT H TYPE
21			13788302			MOUNTING PLATE SHAFT	1				EXCEPT H TYPE
22			SS6111052TP			SCREW	1				EXCEPT H TYPE
23			G2303270000			THREAD RELEASE PIN	1				H TYPE
24			26229302			SUSPENSION SCREW	1				
25			SD0530221SP			HINGE SCREW D= 5.3 H= 2	1				
26			SD0720321TP			HINGE SCREW	1				
27			SD0640391TP			HINGE SCREW D= 6.35 H= .	1				
28			SD0640482SP			HINGE SCREW D= 6.35 H= .	1				
29			SS6110810TP			SCREW 11/64-40 L=8	2				
30			SS4090515SP			SCREW 9/64-40 L=5	2				
31			SS7111120TP			SCREW	1				
32			SS6151812TP			SCREW 15/64-28 L=18	1				
33			NS6120310SP			NUT 3/16-28	1				
34			WP0651056SD			WASHER 6.5X11X1	1				
35			40009290			HINGE STUD	1				
36			22917157			THRUST COLLAR ASM., RE	1				
37			SS8110510SP	SS8110520TP		SCREW 11/64-40 L=5	1	1.00			
38			14438659			SECOND THREAD TENSIO	1				EXCEPT H TYPE
39		*	B3119771000	13817408		THREAD TENSION NUT	1	1.00			
40		*	B3120125000			ROTATING STOPPER	1				
41		*	B2305205000			TENSION SPRING	1				
42		*	B3132012000			TENSION DISC HOLDER	1				
43		*	B3126012000	22921506		THREAD TENSION DISK	2	1.00			
44		*	B2019372000			TENSION POST NO.2	1				
45		*	NS6160520SP			NUT 1/4-24	1				
46		*	D3127555B00			TENSION RELEASE SUPPO	1				
47			WP0722316SH			WASHER	1				EXCEPT H TYPE
48			14438568			AUXILIARY THREAD TENS	1				EXCEPT H TYPE
49		*	B3125012000	22928808		THREAD TENSION NUT	1	1.00			
50		*	B2305205000			TENSION SPRING	1				
51		*	10006005			TENSION DISC HOLDER	1				
52		*	B3120704000	13138102		THREAD TENSION SPRING	1	1.00			
53		*	21060009			THREAD TENSION WHEEL	1				
54		*	22528509			FELT	1				
55		*	14438402			THREAD TENSION SPRING	1				
56		*	14438550			THREAD TENSION COMPL	1				
57		*	B2313280000			THREAD TENSION ROD, L	1				
58		*	SS8090610SP			SCREW 9/64-40 L=5.9	1				
59		*	14442305			THREAD RELEASE PIN	1				
60			14432959			DRAW OUT SOLENOID ASM	1				EXCEPT H TYPE

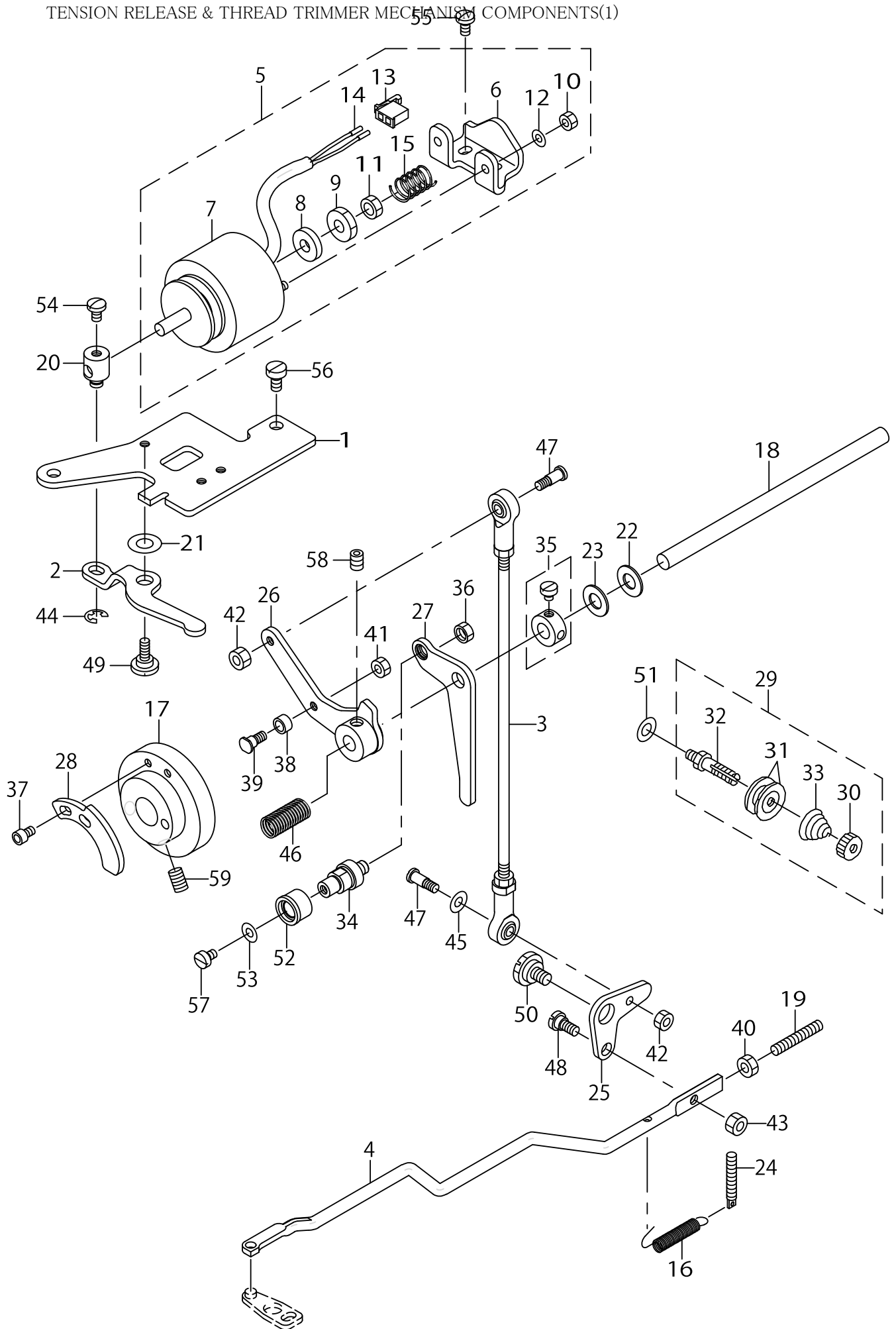
TENSION RELEASE & THREAD TENSION COMPONENTS



TENSION RELEASE & THREAD TENSION COMPONENTS

No.	C- ons	Le- vel	Parts No.	Replacement	Supply Code	Parts name	Qty	R- ep. Q- TY	Status	Spec	Remarks
61		*	HK034610020			2-POLE NYLON PLUG	1				
62		*	HK03464000A			TERMINAL, FEMALE	2				
63		*	10570307			DISK RISING SOLENOID	1				
64			SS6110810TP			SCREW 11/64-40 L=8	2				EXCEPT H TYPI
65			SM8040412TP			SET SCREW M4 L=4	3				EXCEPT H TYPI
66			14433205			DRAW OUT LEVER COUPL	1				EXCEPT H TYPI
67			14433007		Discontinue	SOLENOID FITTING PLATE	1				EXCEPT H TYPI
68			B3319704L00	22931208		THREAD GUIDE	1	1.00			EXCEPT H TYPI
69			14433106			DRAW OUT LEVER	1				EXCEPT H TYPI
70			B2014372000A	26019505		THREAD GUIDE	1	1.00			EXCEPT H TYPI

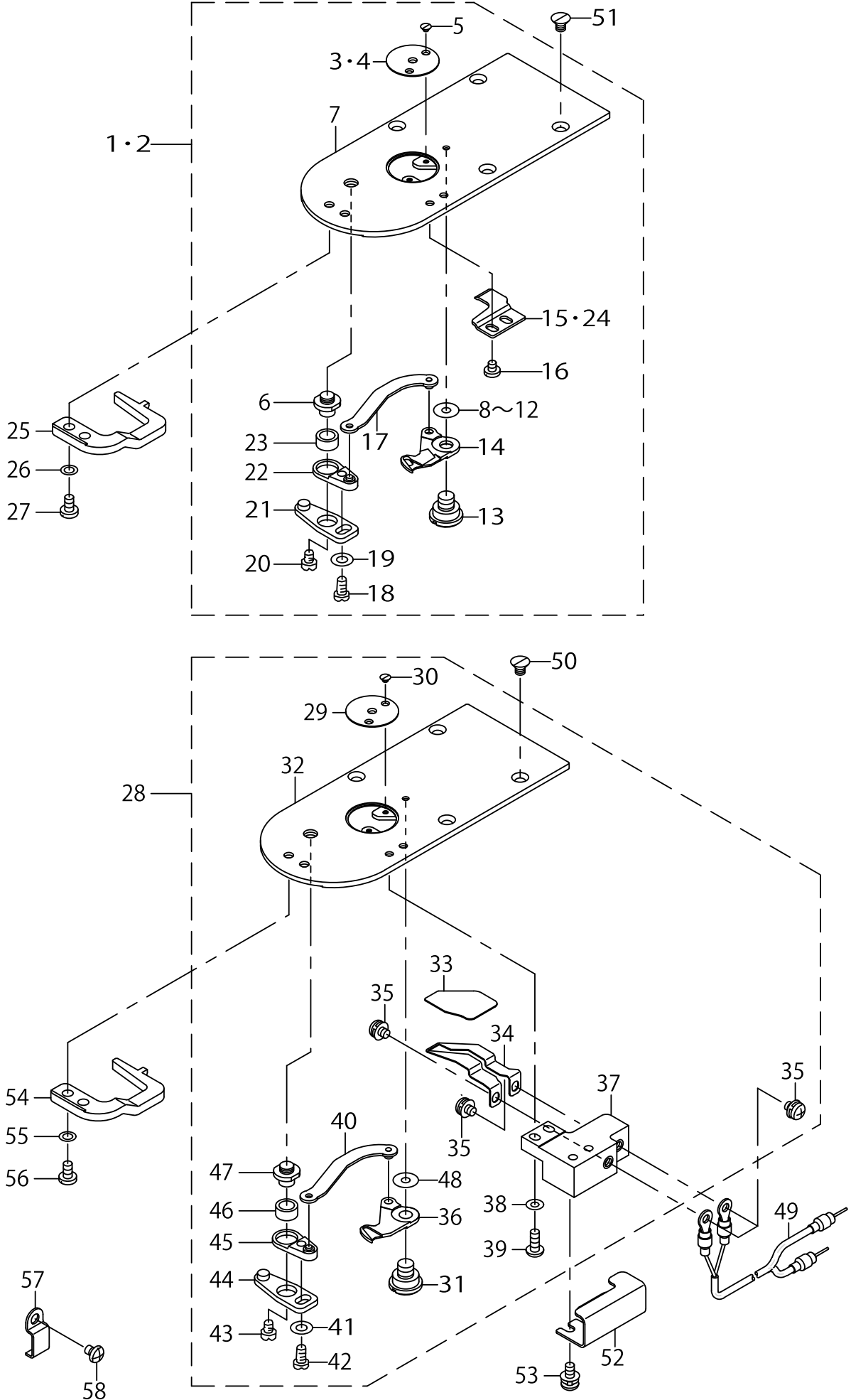
TENSION RELEASE & THREAD TRIMMER MECHANISM COMPONENTS(1)



TENSION RELEASE & THREAD TRIMMER MECHANISM COMPONENTS(1)

No.	C- ons	Le- vel	Parts No.	Replacement	Supply Code	Parts name	Qty	R- ep- Q- TY	Status	Spec	Remarks
1			26501205			CAM FOLLOWER STOPPEF	1				
2			14108500			SOLENOID ARM	1				
3			14108609			CONNECTING ROD	1				
4			26501908			CONNECTING BAR	1				
5			14108955	40104895		THREAD TRIMMING SOLEN	1	1.00			
6		*	14108807			SOLENOID INSTALLING BA	1				
7		*	14108906			SOLENOID FOR THREAD T	1				
8		*	11043304			SOLENOID RUBBER	1				
9		*	NS6660410SH			NUT	1				
10		*	NM6040000SN			NUT M4	2				
11		*	NS6660430SP			NUT 1/4-40	1				
12		*	WP0450000SD			WASHER 4.5X8X0.5	2				
13		*	HK03461002D			HOUSING	1				
14		*	HK034640000			PIN CONTACT	2				
15		*	B1652704000	31256803		SPRING	1	1.00			
16			14109300			THREAD TRIM LINK SPRING	1				
17			B2401210D00			THREAD TRIMMER CAM	1				
18			B2408210D00			THREAD TRIMMER SHAFT	1				
19			SM8053002TP			SCREW M5 L=30	1				
20			22951008			SOLENOID PIN	1				
21			WP0553216SD			WASHER	1				
22			B1223771000			NEEDLE ROD CRANK WAS	1				
23			B1116804000			CLOTH PLATE WASHER	1				
24			26226506			SPRING HOOK	1				
25			B2411210000			THREAD TRIMMER LINK	1				
26			14109250			CAM FOLLOWER ASM.	1				
27			14438907			THREAD RELEASE ARM	1				
28			14442404			THREAD RELEASE NOTCH	1				
29			26218651			FIRST THREAD TENSION A	1				
30		*	22928808			NUT	1				
31		*	22921506			THREAD TENSION DISK	2				
32		*	26220400			THREAD TENSION ROD	1				
33		*	26218602			FIRST THREAD TENSION S	1				
34			14439004			ROLLER SHAFT	1				
35			CS080081BSH			THRUST COLLAR ASM. D=	1				
36			NS6660430SP			NUT 1/4-40	1				
37			SM6040602TP			SCREW M4 L=6	2				
38			D2587L8WB00			ROLLER	1				
39			D2588L8WB00			ROLLER SHAFT	1				
40			NM6050001SP			NUT M5	1				
41			NS6110420SP			NUT 11/64-40	1				
42			NS6110420SP			NUT 11/64-40	2				
43			NS6120310SP			NUT 3/16-28	1				
44			RE0500000K0			E-RING	1				
45			WP0501016SD			WASHER 5X10.5X1	1				
46			B2617771000			TRIPPING LEVER TENSION	1				
47			SD0500803TP			HINGE SCREW D=5 H=8	2				
48			SD0650305TP			HINGE SCREW D= 6.5 H= 3	1				
49			SD0790311TP			HINGE SCREW D= 7.94 H= :	1				
50			SD1100301TP			HINGE SCREW H=11 W=3	1				
51			WP0641600SC			WASHEW 6.4X12.5X1.6	1				EXCEPT H TYPI
52			14438808			THREAD RELEASE ARM RC	1				
53			WP0451026SH			WASHER	1				
54			SS7110740TP			SCREW 11/64-40 L=7	1				
55			SS7110840SP			SCREW 11/64-40 L=7.8	2				
56			SS6120930SP	SS6120930TP		SCREW 3/16-28 L=9	2	1.00			
57			SS6110610TP			SCREW 11/64-40 L=6	1				
58			SS8150822TP			SCREW 15/64-28 L=8	1				
59			SS8661012TP			SCREW	2				

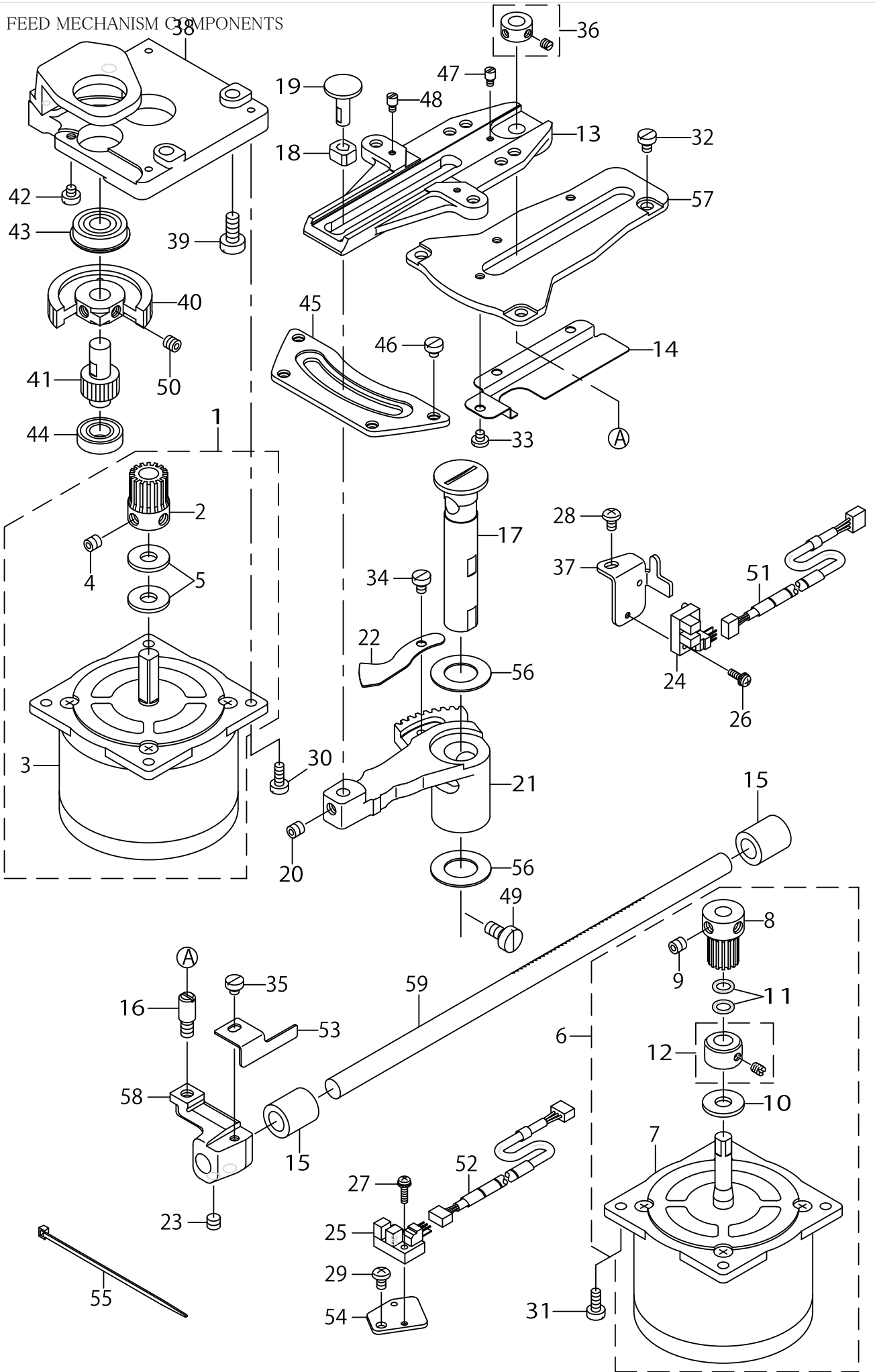
TENSION RELEASE & THREAD TRIMMER MECHANISM COMPONENTS(2)



TENSION RELEASE & THREAD TRIMMER MECHANISM COMPONENTS(2)

No.	C- ons	Le- vel	Parts No.	Replacement	Supply Code	Parts name	Qty	R- ep- Q- TY	Status	Spec	Remarks
1			14439152			H TYPE NEEDLE PLATE AS	1				H TYPE
2			14439251			G TYPE NEEDLE PLATE AS	1				G TYPE
3		*	14439608			NEEDLE HOLE GUIDE D=3	1				H TYPE
4		*	14439707			NEEDLE HOLE GUIDE D=4	1				G TYPE
5		*	SS1060210TP			SCREW 3/32-56 L=2.2	2				
6		*	B2417280000			THREAD CUTTER LEVER S	1				
7		*	14439103			NEEDLE PLATE	1				
8		*	B242328000A			MOVING KNIFE WASHER A	1				SELECTIVE PAF
9		*	B242328000B			MOVING KNIFE WASHER B	1				SELECTIVE PAF
10		*	B242328000C			MOVING KNIFE WASHER C	1				SELECTIVE PAF
11		*	B242328000D			MOVING KNIFE WASHER D	1				SELECTIVE PAF
12		*	B242328000E			MOVING KNIFE WASHER E	1				SELECTIVE PAF
13		*	B2417210000			MOVING KNIFE HINGE SCH	1				
14		*	14440309			MOVING KNIFE	1				EXCEPT Z TYPE
15		*	14441000			FIXING KNIFE	1				H TYPE
16		*	SS7090410SP			SCREW 9/64-40 L= 3.5	2				EXCEPT Z TYPE
17		*	14440457			MOVING KNIFE LINK COM	1				
18		*	SS7110740TP			SCREW 11/64-40 L=7	1				
19		*	WP0450846SP			WASHER	1				
20		*	SS6110430TP			SCREW 11/64-40 L= 4.0	1				
21		*	B24142800A0			THREAD CUTTER LEVER A	1				
22		*	14440556			THREAD LEVER TYPE COM	1				
23		*	B2416280000			THREAD CUTTING LEVER	1				
24		*	14441109			FIXING KNIFE G	1				G TYPE
25		*	14436604			INNER HOOK STOPPER	1				
26		*	WP0450846SP			WASHER	2				
27		*	SS7110710SP			SCREW 11/64-40 L=7	2				
28		*	40023523			HOT WIRE NEEDLE ASM	1				Z TYPE
29		*	14440002			ELLIPSE NEEDLE HOLE GU	1				Z TYPE
30		*	SS1060210TP			SCREW 3/32-56 L=2.2	1				
31		*	B2417210000			MOVING KNIFE HINGE SCH	1				
32		*	14439103			NEEDLE PLATE	1				
33		*	40039621			INSULATING SHEET B	1				Z TYPE
34		*	40022223			HOT WIRE PLATE	1				Z TYPE
35		*	SL4040681SC			COMBINATION SCREW M4	4				Z TYPE
36		*	14441208			MOVING KNIFE	1				Z TYPE
37		*	40022013			HOT WIRE BASE ASM	1				Z TYPE
38		*	WP0371016SD			WASHER 3.7X8X1	2				Z TYPE
39		*	SS4091015SP			SCREW 9/64-40 L=10	2				Z TYPE
40		*	14440457			MOVING KNIFE LINK COM	1				
41		*	WP0450846SP			WASHER	1				
42		*	SS7110740TP			SCREW 11/64-40 L=7	1				
43		*	SS6110430TP			SCREW 11/64-40 L= 4.0	1				
44		*	B24142800A0			THREAD CUTTER LEVER A	1				
45		*	14440556			LEVER TYPE COMPL.	1				
46		*	B2416280000			THREAD CUTTING LEVER	1				
47		*	B2417280000			THREAD CUTTER LEVER S	1				
48		*	B242328000B			MOVING KNIFE WASHER B	1				
49		*	14442255			HEATER CORD ASM.	1				Z TYPE
50		*	SS1110640TP			SCREW 11/64-40 L= 5.5	4				
51		*	SS1110640TP			SCREW 11/64-40 L= 5.5	4				
52		*	14441901			HOT WIRE BASE COVER	1				Z TYPE
53		*	SL4041091SC			SCREW M4 L=10	2				Z TYPE
54		*	14436604			INNER HOOK STOPPER	1				
55		*	WP0450846SP			WASHER	2				
56		*	SS7110710SP			SCREW 11/64-40 L=7	2				
57		*	B3509210000			OIL TUBE HOLDER C	3				Z TYPE
58		*	SS4110515SP			SCREW 11/64-40 L=5	3				Z TYPE

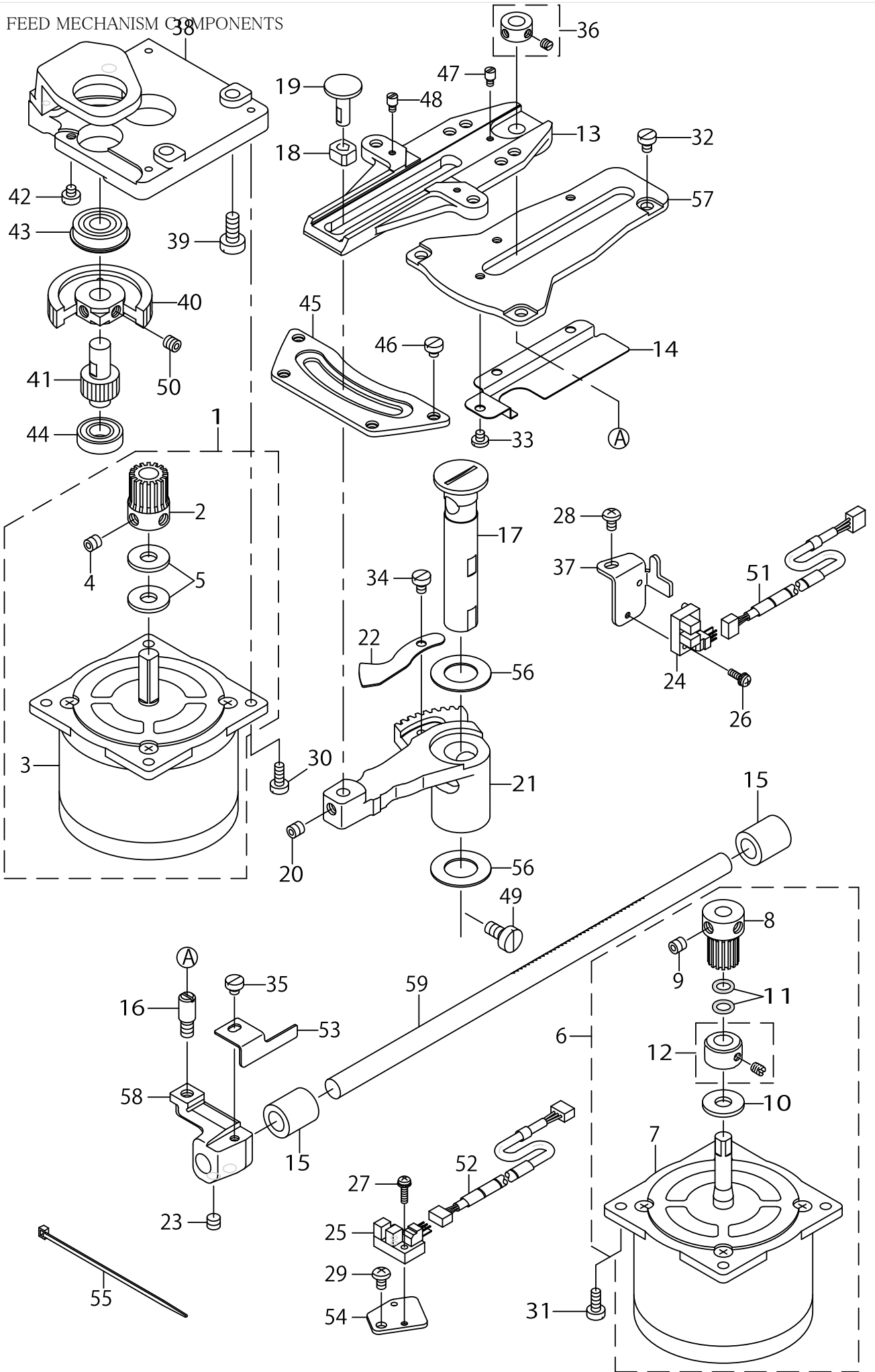
FEED MECHANISM COMPONENTS



FEED MECHANISM COMPONENTS

No.	C- ons	Le- vel	Parts No.	Replacement	Supply Code	Parts name	Qty	R- ep. Q- TY	Status	Spec	Remarks
1			14216352	14216303		X FEED MOTOR ASM.	1	1.00			
1			14216352	26501403		X FEED MOTOR ASM.	1	1.00			
1			14216352	SM8060612TP		X FEED MOTOR ASM.	1	1.00			
1			14216352	14112502		X FEED MOTOR ASM.	1	2.00			
2		*	26501403			X FEED GEAR	1				
3		*	14216303			CROSSFEED STEPPING MC	1				
4		*	SM8060612TP			SCREW M6 L=6	2				
5		*	14112502			RUBBER WASHER	2				
6			14449250			Y FEED MOTOR ASM.	1				
7		*	14216410			LENGTHWISE STEPPING M	1				
8		*	26501502			Y FEED GEAR	1				
9		*	SM8060612TP			SCREW M6 L=6	2				
10		*	14112502			RUBBER WASHER	1				
11		*	RO069180100			RUBBER RING	2				
12		*	CS095081ASH			THRUST COLLAR ASM. D=	1				
13			14214019			CLOTH FEED PLATE	1				
14			14215701			CLOTH FEED SUPPORT PL	1				
15			B2509704000			BUSHING, REAR	2				
16			B1456057000			HINGE SCREW	1				
17			14447908			CROSSFEED FULCRUM SH	1				
18			B1414232000			SQUARE BLOCK	1				
19			26223305			SLIDE BLOCK STUD	1				
20			SM8060612TP			SCREW M6 L=6	1				
21			14448005			CROSSFEED ARM	1				
22			14214712			CROSSFEED SENSOR UNIT	1				
23			SS8660612TP			SCREW 1/4-40 L=6	2				
24			HD00057000A			PHOTO SENSOR	1				
25			HD00057000A			PHOTO SENSOR	1				
26			SL4031081SC			SCREW M3 X 10	1				
27			SL4031291SC			SCREW M3X12	1				
28			SS4110715SP			SCREW 11/64-40 L=7	1				
29			SS4110715SP			SCREW 11/64-40 L=7	1				
30			SS6111140SP			SCREW 11/64-40 L=11	4				
31			SS6111140SP			SCREW 11/64-40 L=11	4				
32			SS6110610TP			SCREW 11/64-40 L=6	3				
33			SS7110410SP			SCREW 11/64-40 L=4	3				
34			SS6110610TP			SCREW 11/64-40 L=6	1				
35			SS6110480SP			SCREW 11/64-40 L=4.3	1				
36			CS079073BSH			THRUST COLLAR	1				
37			14214902			CROSSFEED SENSOR FITTI	1				
38			14215057			MOTOR BASE COMPL.	1				
39			SS6151440SP			SCREW 15/64-28 L=14	3				
40			14215404			CROSSFEED GEAR (LARGE	1				
41			14215305			CROSSFEED GEAR (SMALL	1				
42			SS6110480SP			SCREW 11/64-40 L=4.3	1				
43			SB110001300			BEARING	1				
44			SB110000900			BEARING	1				
45			14214308			CROSSFEED SLIDE PLATE	1				
46			SS6110420TP			SCREW 11/64-40 L=4.8	4				
47			B151902600G			HINGE STUD	1				
48			B151902600G			HINGE STUD	2				
49			SS6151220SP			SCREW 15/64-28 L=11.5	2				
50			SM8060612TP			SCREW M6 L=6	2				
51			14221253			X SENSOR CABLE ASM.	1				
52			14221352			Y SENSOR CABLE ASM.	1				
53			14216006			LENGTHWISE SENSOR SLI	1				
54			40028986			SENSOR INSTALLING BASE	1				
55			EA9500B0200			CABLE BAND 150	2				
56			G5523880000			THRUST WASHER B	2				
57			14215602			CLOTH FEED SUPPORT PL	1				

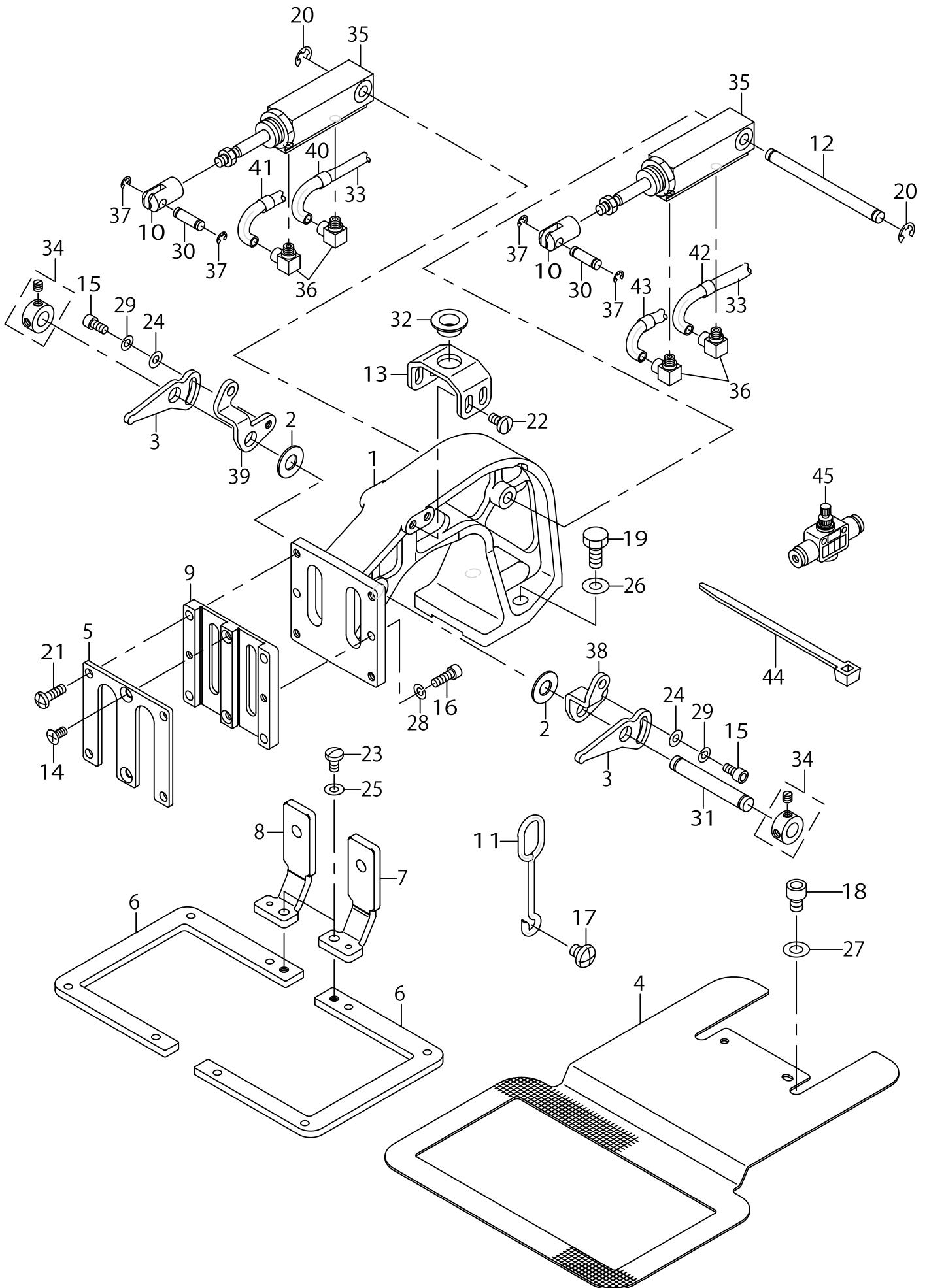
FEED MECHANISM COMPONENTS



FEED MECHANISM COMPONENTS

No.	Con- s	Le- vel	Parts No.	Replacement	Supply Code	Parts name	Qty	R- ep. Q- TY	Status	Spec	Remarks
58			14215909			LENGTHWISE FEED ARM	1				
59			14216204			LENGTHWISE FEED SHAF1	1				

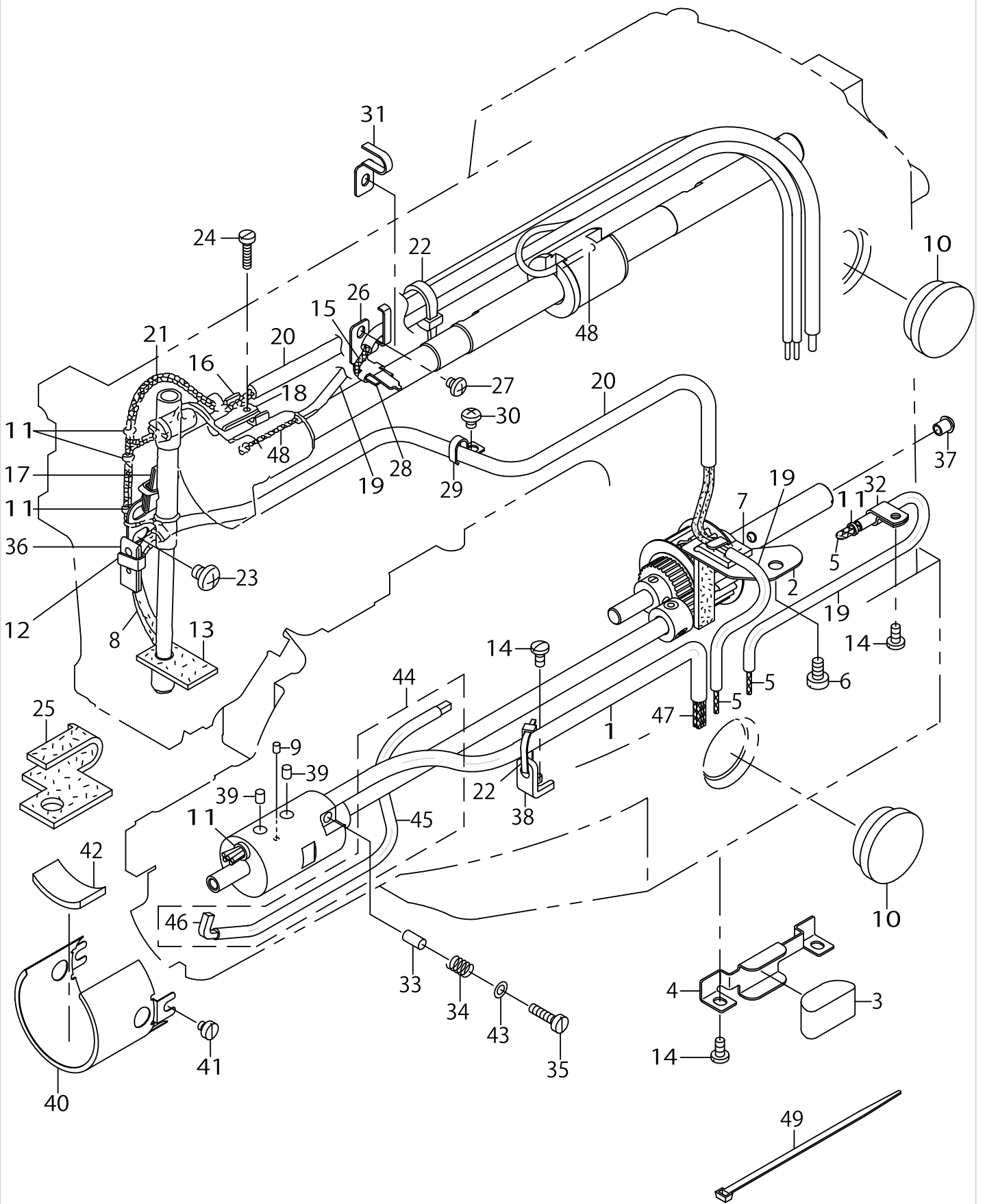
CLOTH FEED MECHANISM COMPONENTS



CLOTH FEED MECHANISM COMPONENTS

No.	C- ons	Le- vel	Parts No.	Replacement	Supply Code	Parts name	Qty	R- ep. Q- TY	Status	Spec	Remarks
1			14436802			CLOTH FEED BASE	1				
2			B255728000C			WASHER	2				
3			14217202			HOOK A	2				
4			14218002			LOWER PLATE	1				
5			B2572210D00			WORK CLAMP FOOT PLAT	1				
6			B2554210D00			FEEDING FRAME	2				
7			14437057			SLIDING PLATE RIGHT CO	1				
8			14437156			SLIDING PLATE LEFT COM	1				
9			B2610210D00			WORK CLAMP FOOT PLAT	1				
10			B2566210D00			CYLINDER KNUCKLE	2				
11			B3403761000			PRESSER BAR LIFTING ROI	1				
12			B2561210D00			CYLINDER SHAFT	1				
13			14436901			SLIDER BASE	1				
14			SM1040801SP			SCREW M4X0.7 L=8	2				
15			SM6040802TP			SCREW M4X0.7 L=8	2				
16			SM6041202TP			SCREW M4X0.7 L=12	2				
17			SS4150715SP			SCREW 15/64-28 L=7	1				
18			SM6060802TP			SCREW M6 L=8	2				
19			SM9061403CP			SCREW M6 L=14	2				
20			RE0500000K0			E-RING	2				
21			SS4111415SP			SCREW 11/64-40 L=14	4				
22			SS7110840SP			SCREW 11/64-40 L=7.8	4				
23			SS7110840SP			SCREW 11/64-40 L=7.8	2				
24			WP0450000SD			WASHER 4.5X8X0.5	2				
25			WP0480856SP			WASHER 4.8X8.4X0.8	2				
26			WP0621016SD			WASHER 6.2X13X1	2				
27			WP0621016SD			WASHER 6.2X13X1	2				
28			WS0410002KP			SPRING WASHER	2				
29			WS0410002KP			SPRING WASHER	2				
30			B1626220000			CYLINDER PIN	2				
31			D2502232D00			SHAFT BLOCK SHAFT	1				
32			E2193172000			PT EV PP METAL	1				
33			BT0400251EB			URETHANE HOSE, BLACK	2.6				
34			22917058			THRUST COLLAR ASM., FF	2				
35			PA1602006A0			AIR CYLINDER	2				
36			PJ046052503			HOSE ELBOW	4				
37			RE0300000K0			E-RING 3	4				
38			14217301			HOOK B,RIGHT	1				
39			14217400			HOOK B,LEFT	1				
40			B471122000D			AIR TUBE LABEL J04 LEFT	1				
41			B471122000C			AIR TUBE LABEL J03 LEFT	1				
42			B471122000H			AIR TUBE LABEL J04 RIGH	1				
43			B471122000G			AIR TUBE LABEL J03 RIGH	1				
44			EA9500B0100			CABLE BAND	3				
45			PC012401000			SPEED CONTROLLER	2				

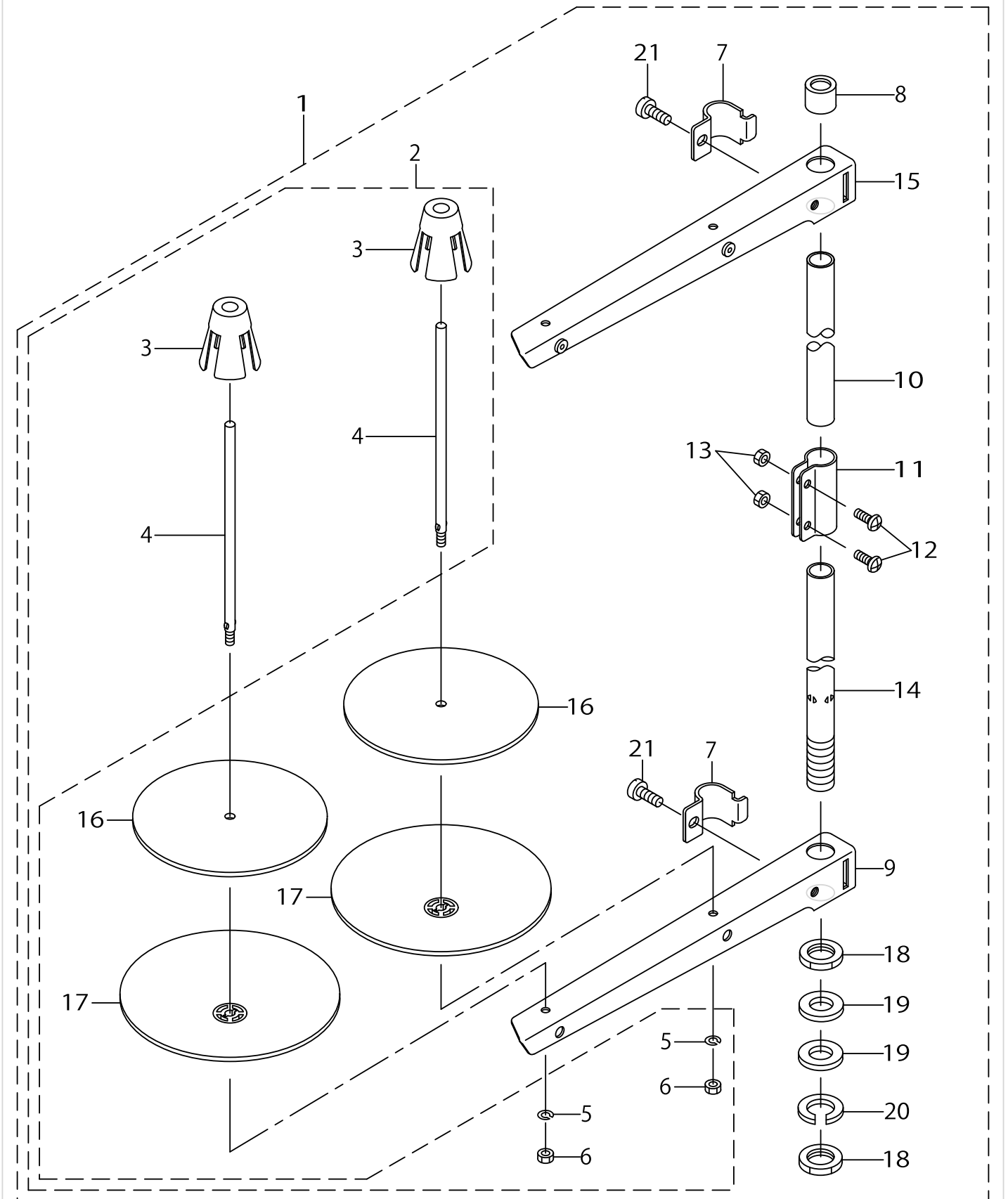
LUBRICATION COMPONENTS



LUBRICATION COMPONENTS

No.	C- ons	Le- vel	Parts No.	Replacement	Supply Code	Parts name	Qty	R- ep- Q- TY	Status	Spec	Remarks
1			BT0700500EA			TUBE	.3				
2			14443204			GEAR LUBRICATING PLAT	1				
3			14114300			OIL FELT	1				
4			14114409			FELT PRESSER	1				
5			CQ202000000			OIL WICK	.45				
6			SS6120930SP	SS6120930TP		SCREW 3/16-28 L=9	1	1.00			
7			14443303			GEAR LUBRICATING FELT	1				
8			B3541012000			OIL WICK	.47				
9			B1821210D00			SHUTTLE OIL FELT,B	1				
10			B3501210000			OIL GAUGE	2				
11			26230706			OIL WICK PRESSER	5				
12			14219513			LUBRICATION PLATE	1				
13			14114607			FACE FELT	1				FOR LK-1941
14			SS7110840SP			SCREW 11/64-40 L=7.8	4				
15			CQ200000000			OIL WICK	.4				FOR LK-1942
16			26231407			BALANCE LUBRICATING P	1				
17			B3509220000			OIL SPONGE	1				
18			B3518280000			BALANCE LUBRICATING	1				
19			23630007			TUBE	1.07				
20			BP600000000			VINYL PIPE	.67				
21			CQ252200000			OIL WICK	1.6				
22			EA9500B0100			CABLE BAND	2				
23			SS4150715SP			SCREW 15/64-28 L=7	2				
24			SS6092120SP			SCREW 9/64-40 L=21.2	1				
25			14219604			OIL FELT	1				FOR LK-1942
26			14219711			LUBRICATION PLATE	1				FOR LK-1942
27			SS4110515SP			SCREW 11/64-40 L=5	1				
28			B3518280000			BALANCE LUBRICATING	1				FOR LK-1942
29			26231902			OIL WICK PIPE STOPPER	1				
30			SS4110515SP			SCREW 11/64-40 L=5	1				
31			B3523980000			OIL WICK PIPE STOPPER	1				FOR LK-1941
32			HX00150000A			CABLE CLAMP	1				
33			12219705			PIN	1				
34			B2626372000			SPRING	1				
35			SS6111610SP			SCREW 11/64-40 L=16	1				
36			B3518280000			BALANCE LUBRICATING	1				FOR LK-1942
37			TA0550604R0			RUBBER PLUG	1				
38			B1113223C00			COVER SUPPORTER	1				
39			B1820210D00			SHUTTLE OIL FELT,A	2				
40			14443402			HOOK OIL PREVENTION P	1				
41			SS6110480SP			SCREW 11/64-40 L=4.3	2				
42			10126704			OIL FELT	1				
43			WP0450000SD			WASHER 4.5X8X0.5	1				
44			13530357			SHUTTLE ONCE THROUGH	1				
45		*	13530308			SHUTTLE ONCE THROUGH	1				
46		*	BP500000000			VINYL PIPE	18				
47			CQ200000000			OIL WICK	2.8				
48			CQ252000000			OIL WICK	1.2				
49			EA9500B0200			CABLE BAND 150	1				

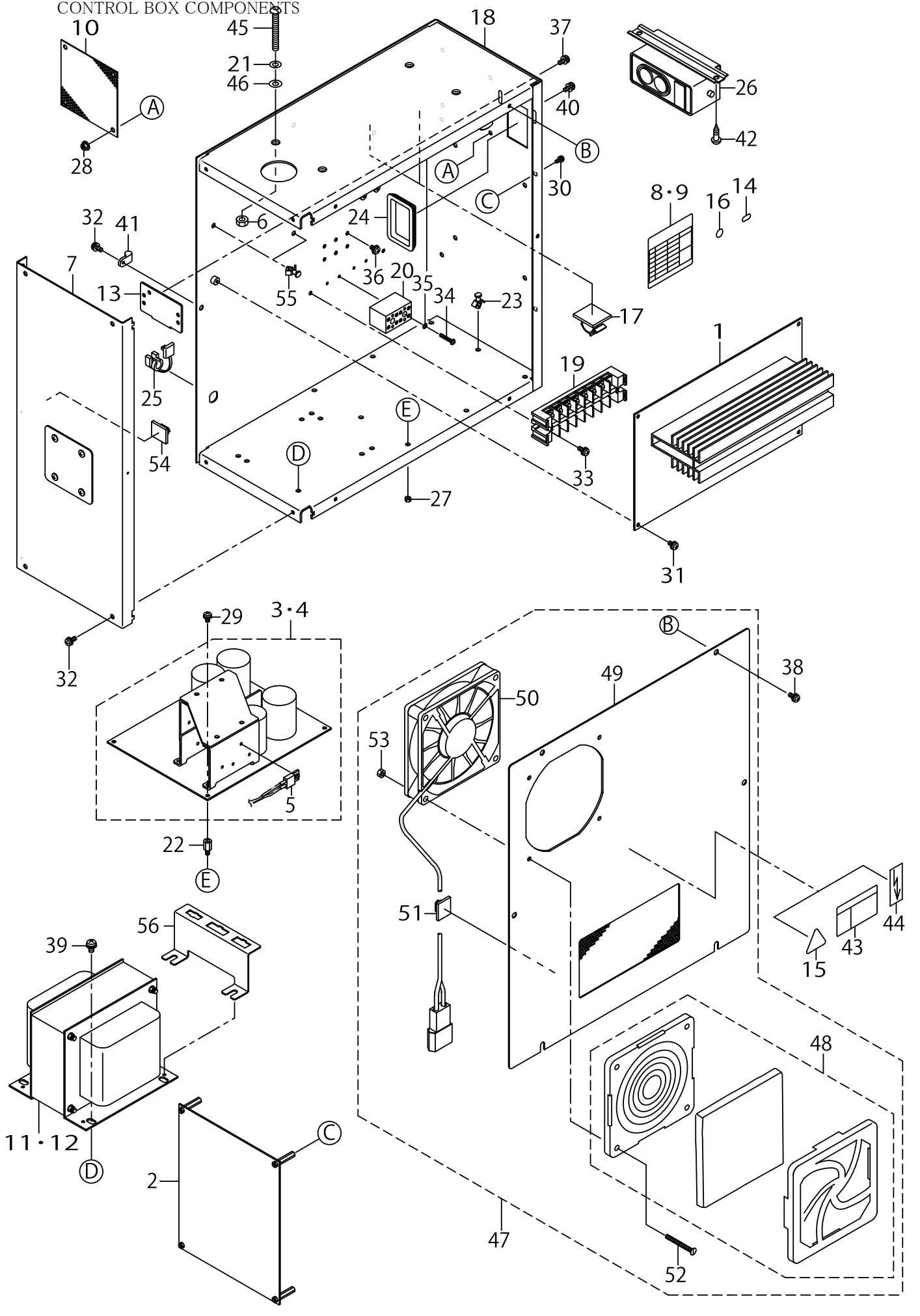
THREAD STAND COMPONENTS (EXCEPT FOR AW-2D)



THREAD STAND COMPONENTS (EXCEPT FOR AW-2D)

No.	C- ons	Le- vel	Parts No.	Replacement	Supply Code	Parts name	Qty	R- ep. Q- TY	Status	Spec	Remarks
1			22930358	40096354		THREAD STAND ASM.	1	1.00			
2		*	40062684			SPOOL PIN ASM.	1				
3		*	22931109	40085791		SPOOL RETAINER	2	1.00			
4		*	22931000	40085790		SPOOL PIN	2	1.00			
5		*	WS0510002KN			SPRING WASHER	2				
6		*	NM6050001SE			NUT M5	2				
7		*	22930705	22930358		THREAD GUIDE ARM JOIN	2	1.00			
8		*	22931406			SPOOL REST ROD RUBBER	1				
9		*	22930507	22930358		SPOOL REST ARM	1	1.00			
10		*	22930408	22930358		SPOOL REST ROD, UPPER	1	1.00			
11		*	22931307	22930358		SPOOL REST ROD JOINT	1	1.00			
12		*	SM4051405SE			SCREW M5 L=14	2				
13		*	NM6050001SE			NUT M5	2				
14		*	22930309	22930358		SPOOL REST ROD, LOWER	1	1.00			
15		*	22930556	22930358		THREAD STANDING ARM A	1	1.00			
16		*	22930903			SPOOL REST CUSHION	2				
17		*	22930804			SPOOL REST	2				
18		*	NM6160511SE			NUT M16X1.5	2				
19		*	WP1612616SE			WASHER 16X30X2.6	2				
20		*	WS1643202KR			SPRING WASHER	1				
21		*	SM6061610SC			SCREW M6 L=16	2				

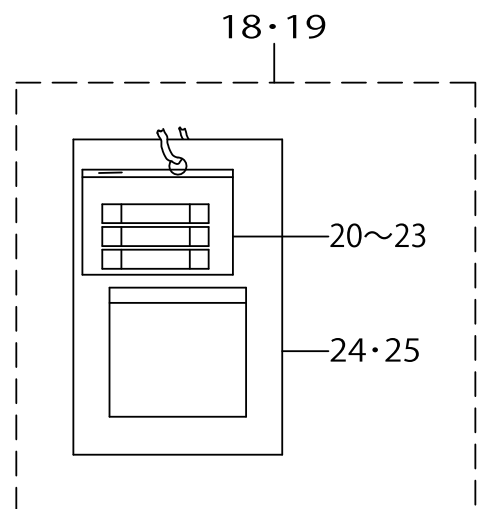
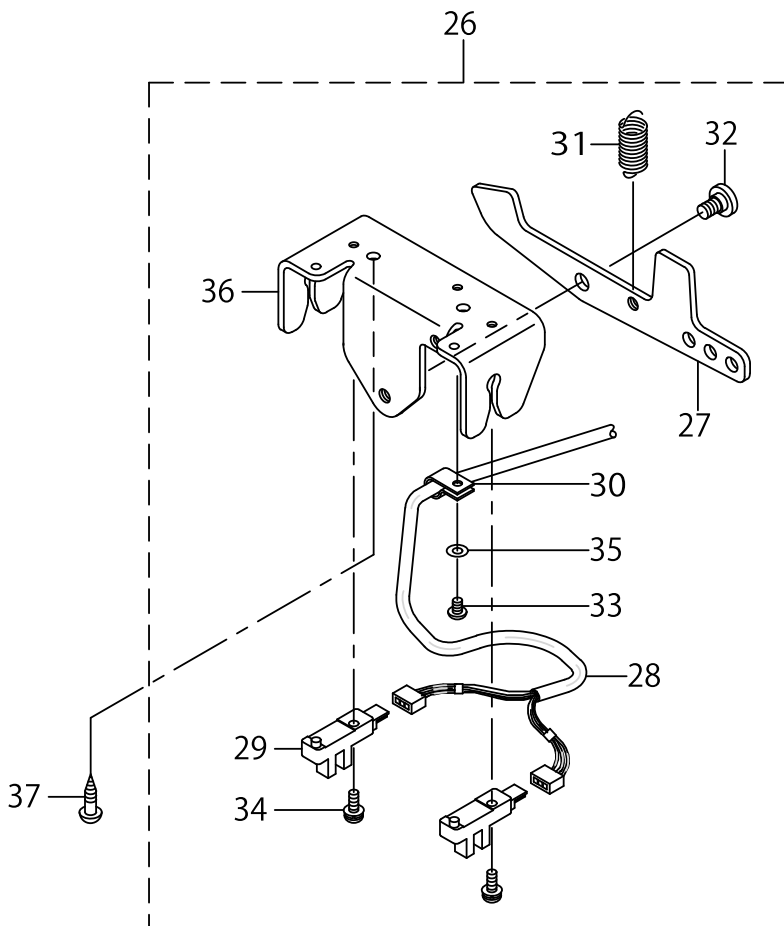
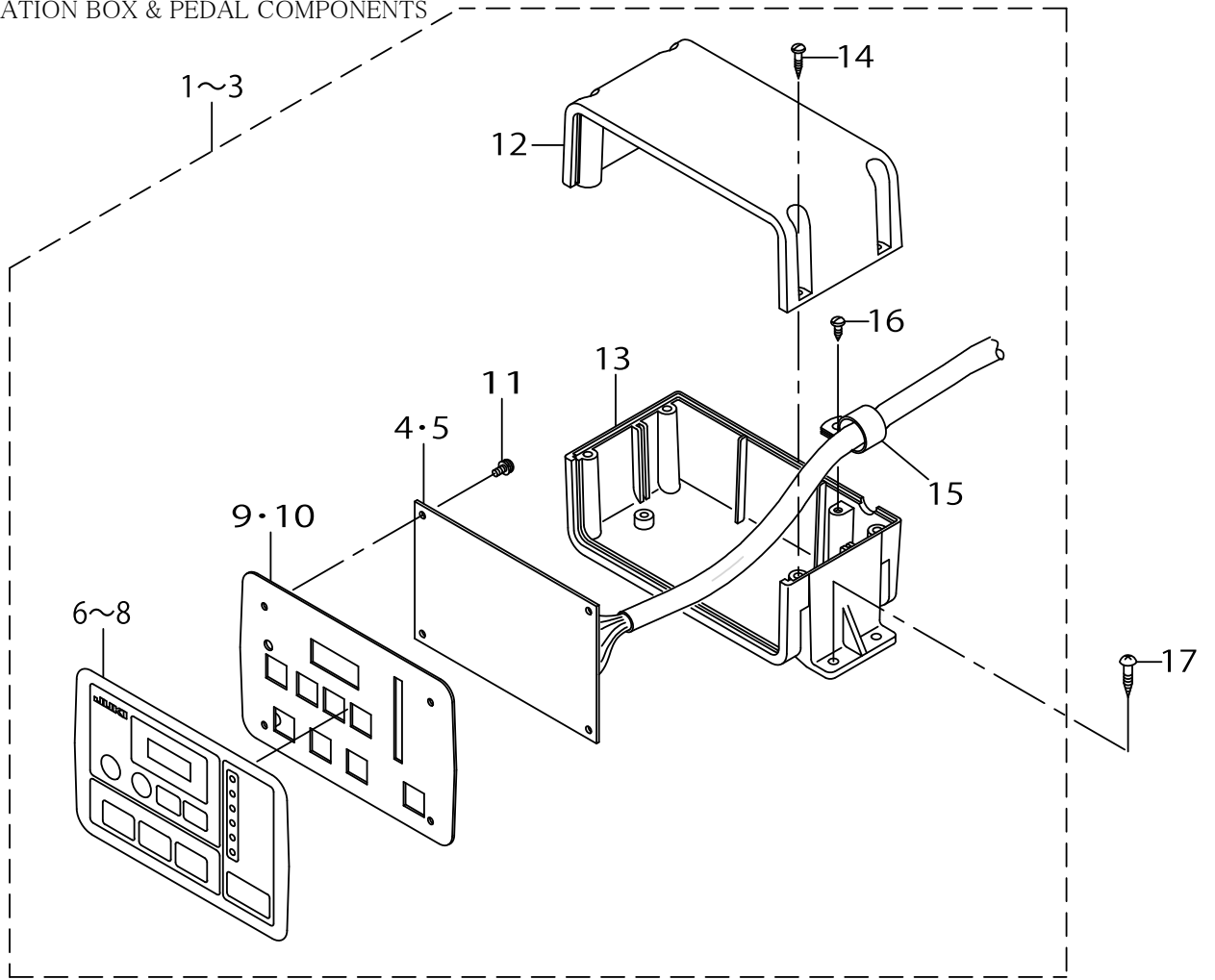
CONTROL BOX COMPONENTS



CONTROL BOX COMPONENTS

No.	C- ons	Le- vel	Parts No.	Replacement	Supply Code	Parts name	Qty	R- ep. Q- TY	Status	Spec	Remarks
1			M8601594AA0			MAIN CIRCUIT BOARD A A	1				
2			40058948	40150001		SDC PCB ASSY	1	1.00			
3			M86045900C0			POWER CIRCUIT BOARD A	1				FOR 200V
4			M8604590AC0			POWER CIRCUIT BOARD A	1				FOR 380V
5		*	M89105900A0			THERMOSTAT ASM.	1				
6			NM6060001SC			NUT M6	4				
7			M10035940A0			CONTROL BOX PANEL AS	1				
8			M300359000A			SEAL A	1				FOR 200V
9			M300258000B			SEAL B	1				FOR 380V
10			M1004581000			VENTILATION COVER	1				
11			M8901594AA0			TRANSFORMER A ASM.	1				FOR 200V
12			M8901594BA0			TRANSFORMER B ASM.	1				FOR 380V
13			17845009			CORD FITTING PLATE	1				
14			CM200100001			PE MARK LABEL	1				FOR 380V
15			CM300100001			LABEL	1				FOR 380V
16			E9567319000			EARTH MARK	1				
17			E9609603000			STICKER (LARGE)	3				
18			M1001590000	40098641		CONTROL BOX	1	1.00			
19			HK026650080			TERMINAL BASE 8P	1				FOR 200V
20			HK054250040			TERMINAL BASE	2				FOR 380V
21			WS0610002KN			SPRING WASHER 6.1X12.2X	4				
22			HX00056000B			SPACER	4				
23			HX00147000C			SPACER	4				
24			HX004070000			BUSH	1				
25			HX004100000			BUSH	1				
26			HA004250000			SWITCH	1				EXCEPT JE
27			NM3034000SF			FLANGE NUT	4				
28			NM3040520SF			FLANGE NUT M4	4				
29			SL4030681SF			SCREW M3 L=6	4				
30			SL4030891SC			SCREW M3X8	4				
31			SL4040881SF			SCREW M4 L=8	4				
32			SL4041091SC			SCREW M4 L=10	7				
33			SL4041081SF			SCREW M4 L=10	2				FOR 200V
34			SM4031851SR			SCREW	4				FOR 380V
35			WS0310702KS			SPRING WASHER	4				FOR 380V
36			SL4040681SC			COMBINATION SCREW M4	4				
37			SL4041091SC			SCREW M4 L=10	2				
38			SL4041091SC			SCREW M4 L=10	6				
39			SL4051091SC			SCREW M5X0.8 L=10	4				
40			SL4041091SC			SCREW M4 L=10	4				
41			HX00123000B			CABLE CLIP	1				
42			SK3482001SE			WOOD SCREW D=4.8 L=20	2				EXCEPT JE
43			CM300100101			DANGER LABEL (SMALL)	1				FOR 200V(FOR
44			G6705152U0A			LABEL	1				FOR 200V(FOR
45			SM3065052TC			SCREW	4				
46			WP0651001SC			WASHER	4				
47			M85205920A0			FAN COVER ASM.	1				
48		*	HM000630010			FILTER	1				
49		*	M10025920A0			CONTROL BOX COVER AS	1				
50		*	M85105810A0			FAN ASM.	1				
51		*	E9607603000			STICKER (SMALL)	1				
52		*	SM1044050SM			SCREW M4X0.7 L=40	4				
53		*	NM3040520SF			FLANGE NUT M4	4				
54			E9607603000			STICKER (SMALL)	2				
55			HX001470000			PCB HOLDER	4				
56			M1007594000			CONNECTOR STOPPER PL	1				

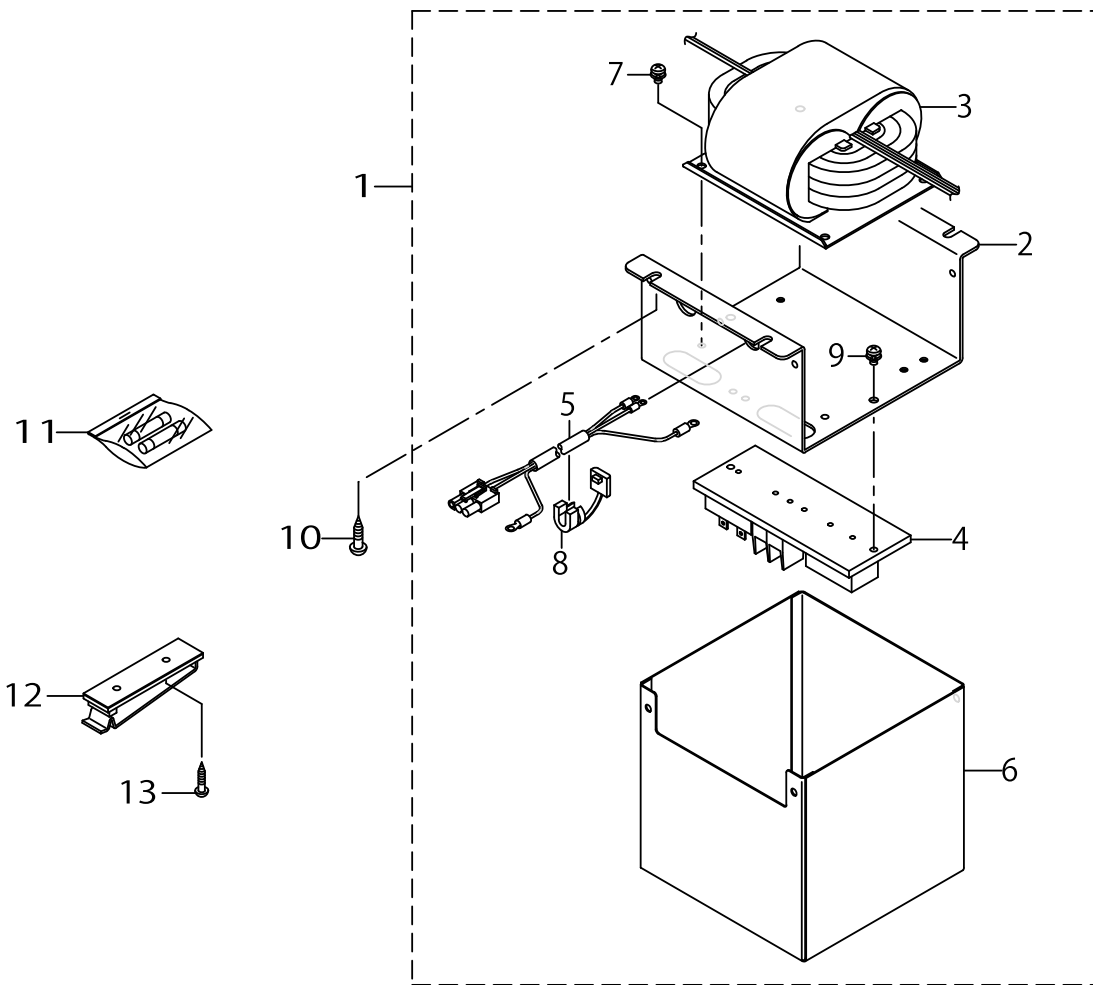
OPERATION BOX & PEDAL COMPONENTS



OPERATION BOX & PEDAL COMPONENTS

No.	C- ons	Le- vel	Parts No.	Replacement	Supply Code	Parts name	Qty	R- ep- Q- TY	Status	Spec	Remarks
1			M8510594AA0			OPERATION BOX A ASM.	1				FOR USE IN JAF
2			M8510594BA0			OPERATION BOX B ASM.	1				FOR EXPORT
3			M8510594CA0			OPERATION BOX C ASM.	1				FOR AW-2D
4		*	M86065940A0			OPERATION CIRCUIT BOA	1				EXCEPT FOR A
5		*	M86075940A0			CIRCUIT BOARD AW ASM.	1				FOR AW-2D
6		*	M300259400A			PANEL SHEET(JAPANESE)	1				FOR USE IN JAF
7		*	M300259400B			PANEL SHEET(ENGLISH)	1				FOR EXPORT
8		*	M300259400C			OPERATION PANEL SEAT(C	1				FOR AW-2D
9		*	M1012592000			OPERATION PANEL PLATE	1				EXCEPT FOR A
10		*	M1012594000			OPERATION PANEL PLATE	1				FOR AW-2D
11		*	SL4030881SF			SCREW	4				
12		*	M1011590000			OPERATION BOX B	1				
13		*	M1010590000			OPERATION BOX A	1				
14		*	ST40316110R			TAPPING SCREW D=3 L=16	4				
15		*	EA9502B0500			CABLE CLIP	1				
16		*	SV4031006SR			SCREW M3 L=10	1				
17			SK3382001SE			SCREW D=3.8 L=20	4				
18			M85995900A0			ACCESSORIES PART ASM.	1				FOR 200V
19			M8599590AA0			ACCESSORIES PART A ASM	1				FOR 380V
20		*	HF001301000			TIMING LAG FUSE	1				
21		*	HF0041080P0			FUSE 8A	1				
22		*	E8523304000			FUSE 10A	1				
23		*	HF002900300			FUSE 250V 3A	1				
24		*	M300451100A			VOLTAGE INDICATION CA	1				FOR 200V
25		*	M3003580000			VOLTAGE INDICATION CA	1				FOR 380V
26			M85205900A0			1-PEDAL ASM.	1				EXCEPT FOR A
27		*	M1031590000			PEDAL SWITCH LEVER	1				
28		*	M90115900A0			PEDAL SWITCH CABLE AS	1				
29		*	HD002230000			PHOTO SENSOR	2				
30		*	HX001230000			CABLE CLIP	1				
31		*	B2583210D00			SPRING	1				
32		*	SD0800331TH			HINGE SCREW D=8 H=3.25	1				
33		*	SM4040601SC			SCREW M4X0.7 L=6	1				
34		*	SL4041291SC			SCREW M4 L=12	2				
35		*	WP0430801SC			WASHER 4.3X9X0.8	1				
36		*	M1030590000			PEDAL SWITCH FRAME	1				
37			SK3482001SE			WOOD SCREW D=4.8 L=20	2				

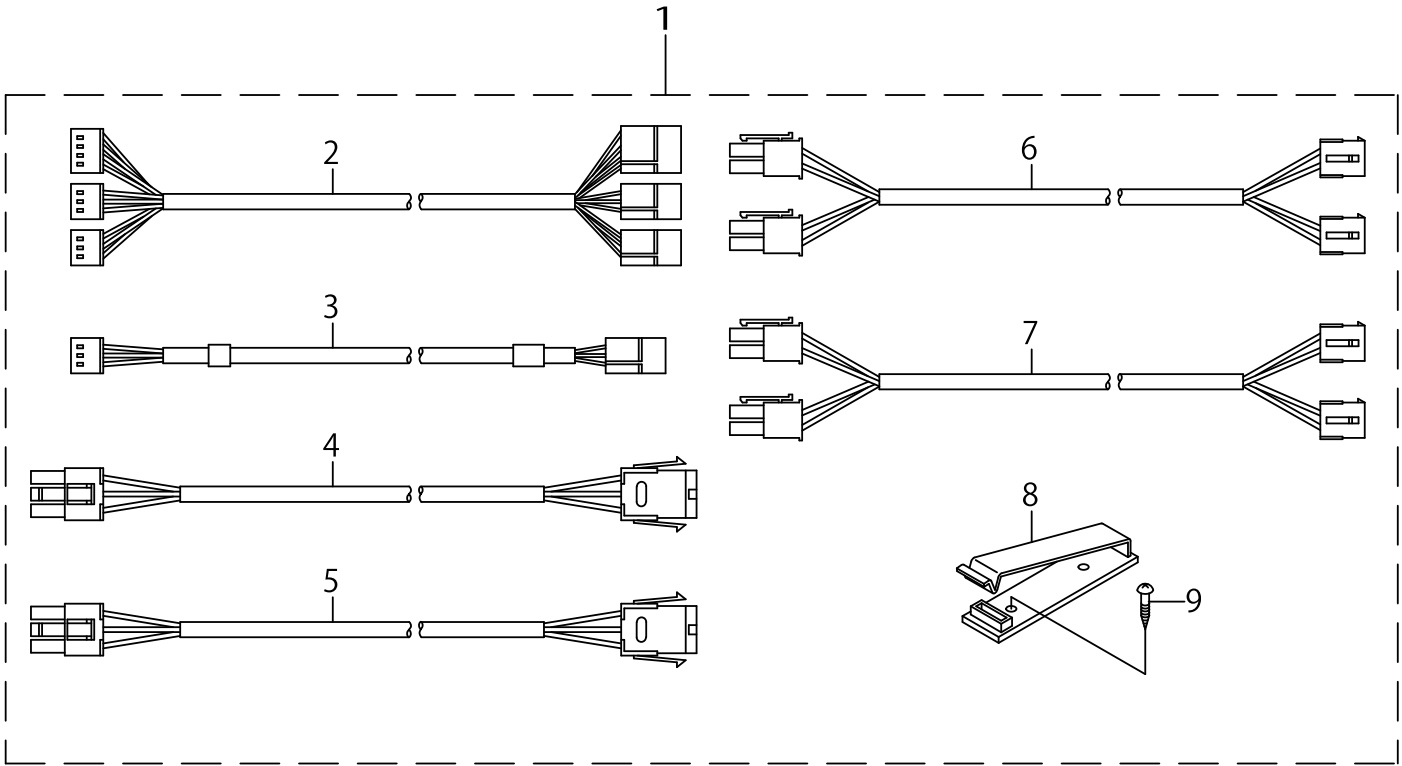
HEATER UNIT COMPONENTS (Z TYPE)



HEATER UNIT COMPONENTS (Z TYPE)

No.	C- ons	Le- vel	Parts No.	Replacement	Supply Code	Parts name	Qty	R- ep. Q- TY	Status	Spec	Remarks
1			M85215940A0			HEATER UNIT ASM.	1				
2		*	M1022594000			TRANSFORMER FITTING B	1				
3		*	M89025940A0			HEATER TRANSFORMER A	1				
4		*	M85225940A0			HEATER SWITCH ASM.	1				
5		*	M90215940A0			HEATER POWER SOURCE	1				
6		*	MAT00616000			CONTROL UNIT COVER	1				
7		*	SL4040881SF			SCREW M4 L=8	4				
8		*	HX004100000			BUSH	1				
9		*	SL4040881SF			SCREW M4 L=8	2				
10			SK3482001SE			WOOD SCREW D=4.8 L=20	4				
11			M85995940A0			ACCESSORIE PART ASM.	1				
12			M964051000A			CABLE CLIP	1				
13			SK3382001SE			SCREW D=3.8 L=20	2				

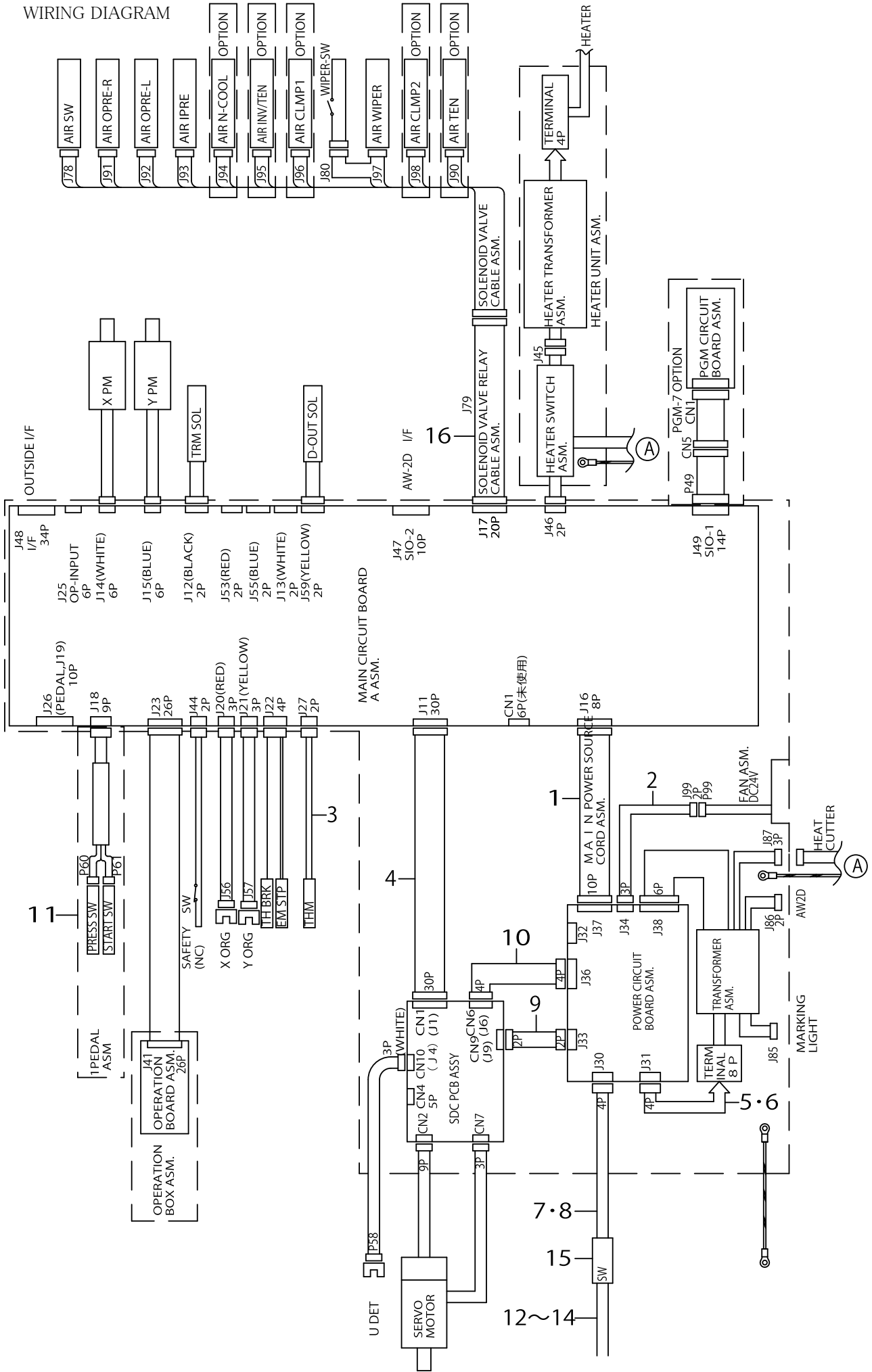
EXTENSION CABLE COMPONENTS



EXTENSION CABLE COMPONENTS

No.	C- ons	Le- vel	Parts No.	Replacement	Supply Code	Parts name	Qty	R- ep. Q- TY	Status	Spec	Remarks
1			M85985920A0			EXTENSION CABLE MAS.A	1				FOR JUS
2		*	M90445920A0			SENSOR EXTENSION CABL	1				
3		*	M90475900A0			SENSOR EXTENSION CABLE	1				
4		*	M90415900A0			EXTENSION CABLE ASM.	1				
5		*	M90425900A0			EXTENSION CABLE ASM.	1				
6		*	M90435900A0			SOLENOID EXTENSION CAE	1				
7		*	M90435920A0			SOLENOID EXTENSION CA	1				
8		*	M964051000A			CABLE CLIP	1				
9		*	SK3382001SE			SCREW D=3.8 L=20	2				

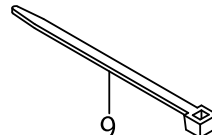
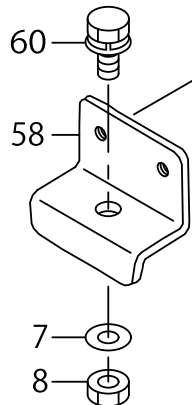
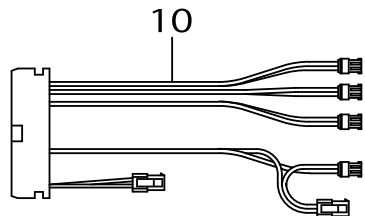
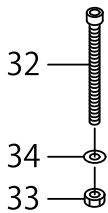
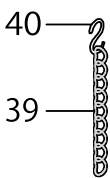
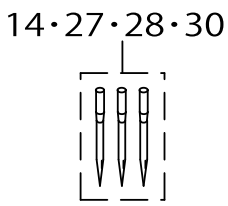
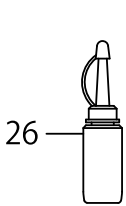
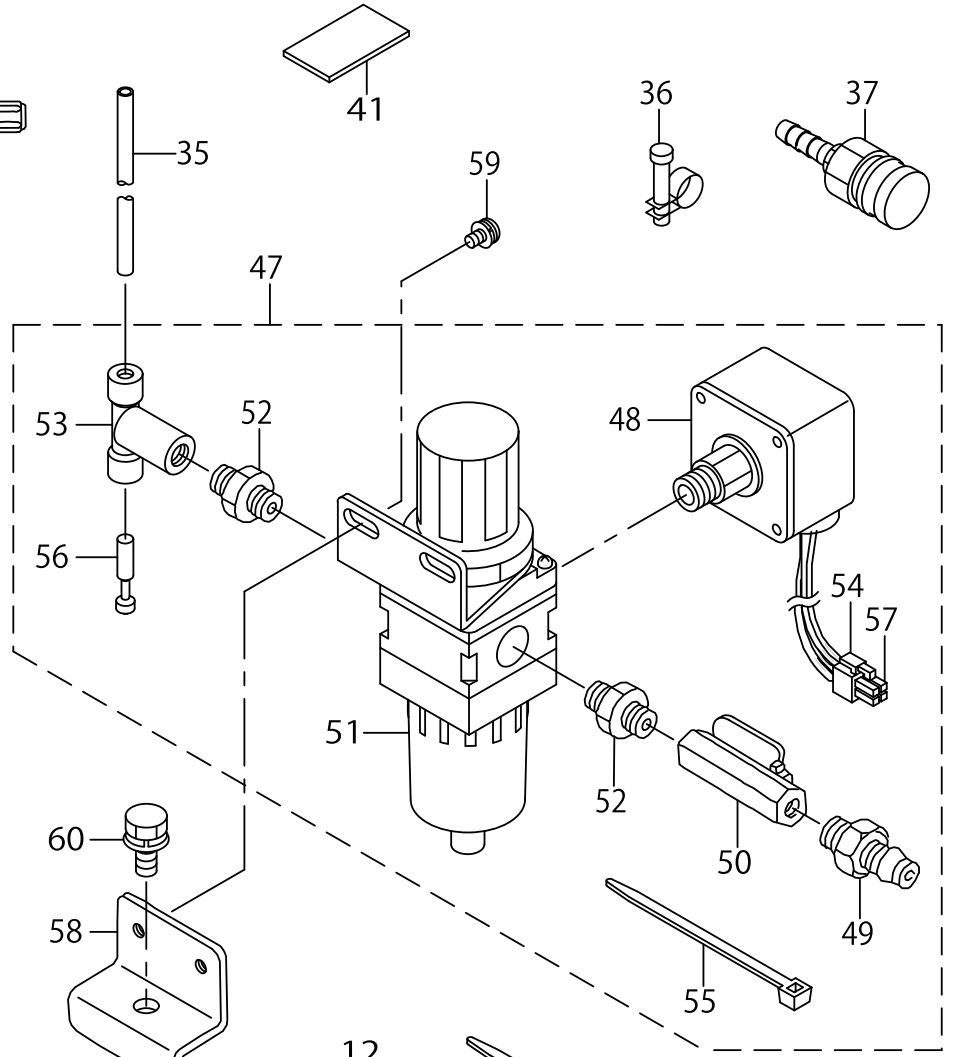
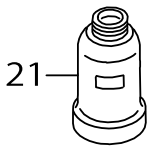
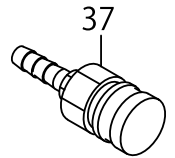
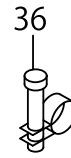
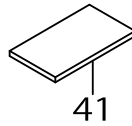
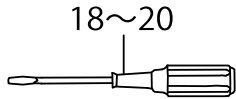
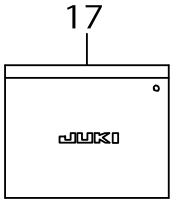
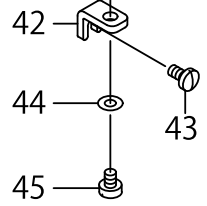
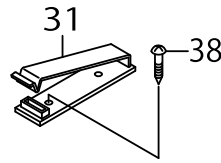
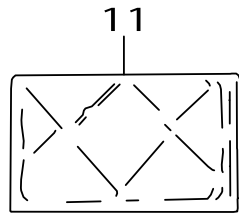
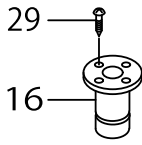
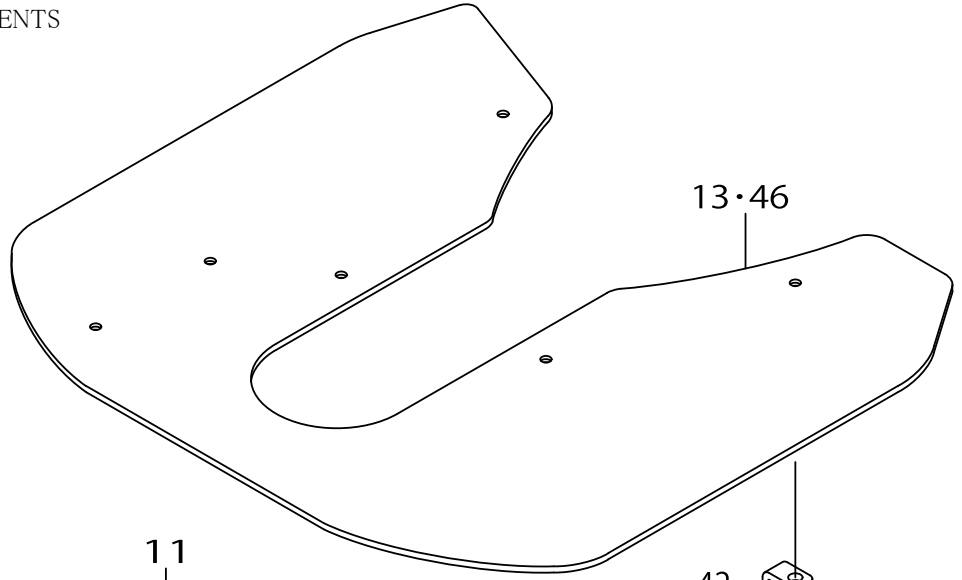
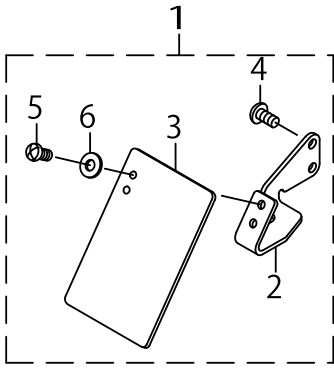
WIRING DIAGRAM



WIRING DIAGRAM

No.	C- ons	Le- vel	Parts No.	Replacement	Supply Code	Parts name	Qty	R- ep. Q- TY	Status	Spec	Remarks
1			M90015900A0			MAIN POWER CORD ASM.	1				
2			M90105810A0			FAN CONNECTING CORD	1				
3			M89105900A0			THERMOSTAT ASM.	1				
4			M90085800A0			SERVO SIGNAL CORD ASM	1				
5			M90205800A0			TRANSFORMER POWER CC	1				FOR 200V
6			M9020580AA0			TRANSFORMER POWER CC	1				FOR 380V
7			M90225900A0			POWER CORD ASM.	1				FOR 200V
8			M90235900A0			POWER CORD A ASM.	1				FOR 380V
9			M90025800A0			SERVO POWER CORD ASM	1				
10			M90315900A0			SERVO POWER CORD ASM	1				
11			M85205900A0			1-PEDAL ASM.	1				
12			M90175800A0			POWER CABLE ASM.	1				FOR 200V(3-PH
13			M90285800A0			POWER CABLE ASM.	1				FOR MC-594-△
14			M90245800A0			POWER CABLE ASM.,100V	1				FOR 1-PHASE
15			HA004250000			SWITCH	1				
16			M90145800A0			RELAY CABLE ASM.	1				

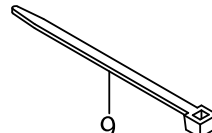
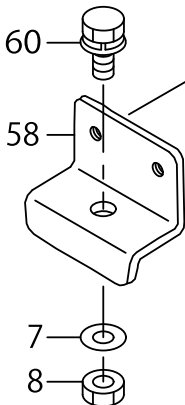
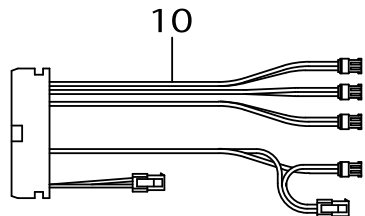
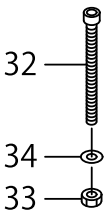
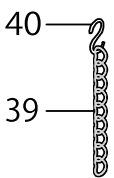
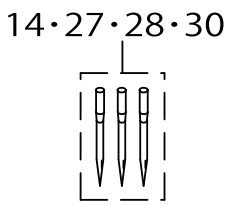
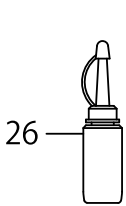
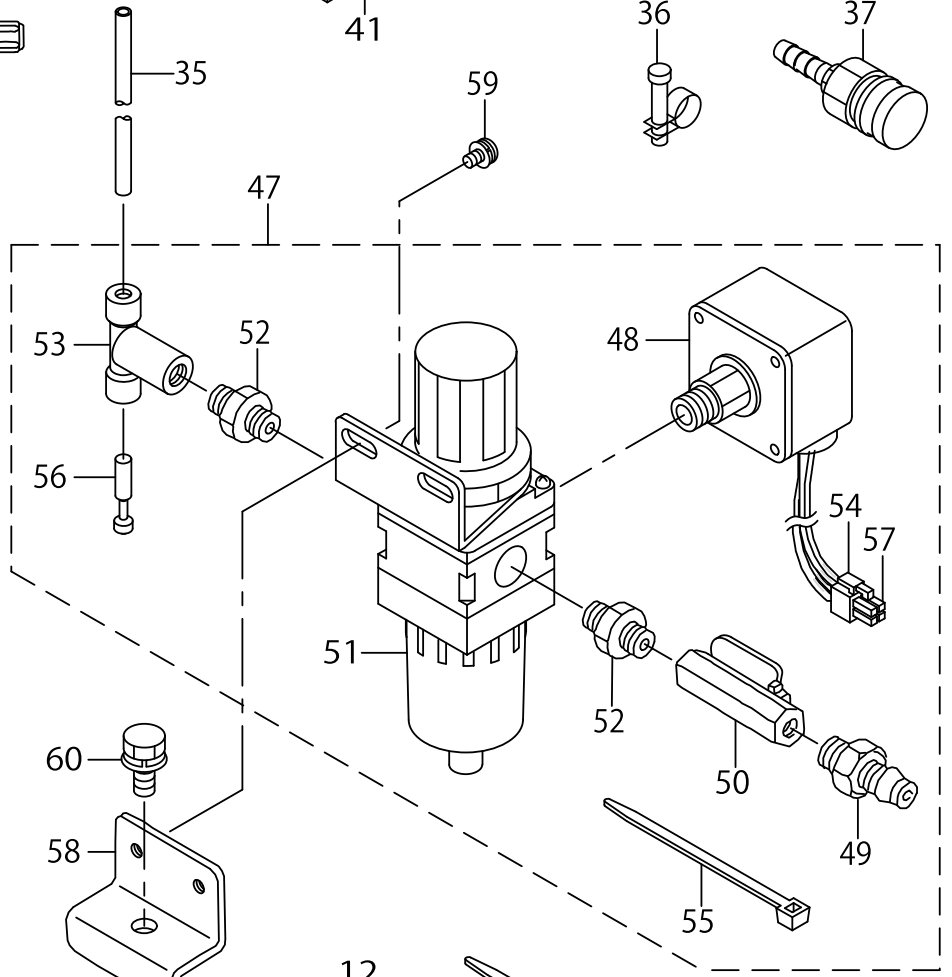
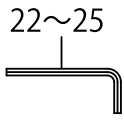
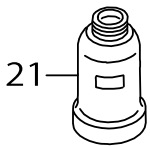
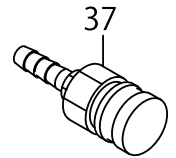
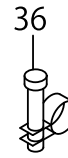
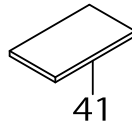
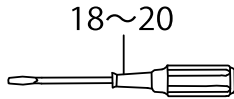
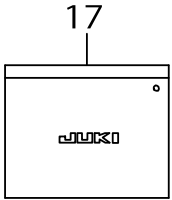
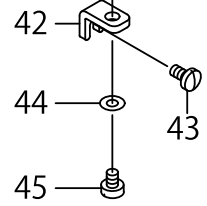
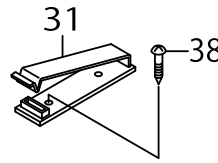
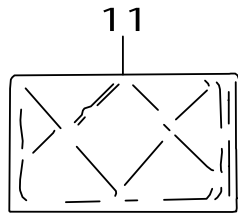
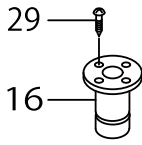
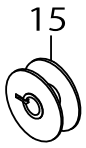
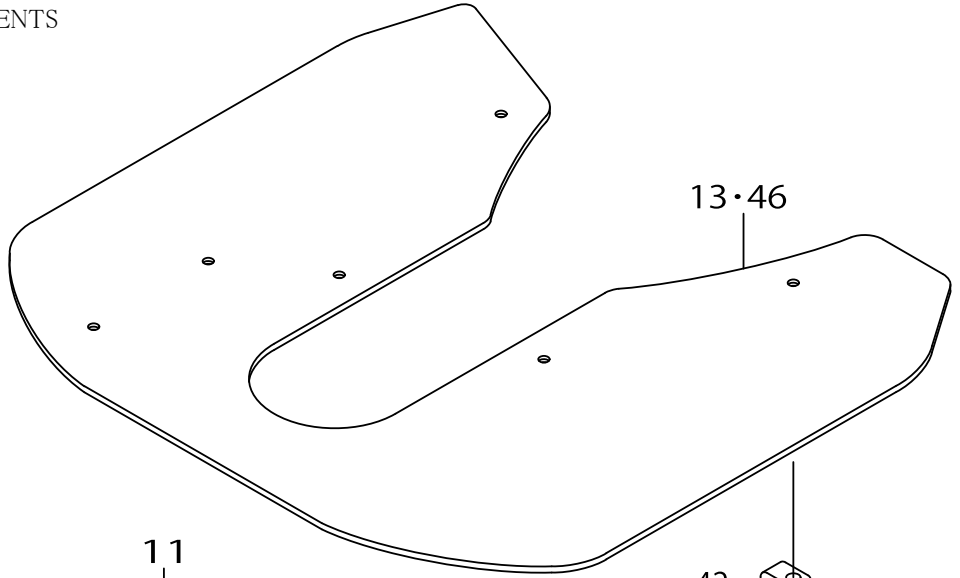
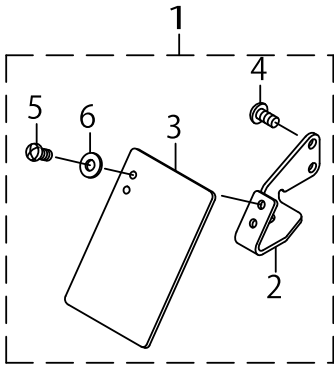
ACCESSORIE PART COMPONENTS



ACCESSORIE PART COMPONENTS

No.	C- ons	Le- vel	Parts No.	Replacement	Supply Code	Parts name	Qty	R- ep. Q- TY	Status	Spec	Remarks
1			40052806			SAFETY PLATE ASM	1				
2		*	40051987			SAFETY PLATE BASE	1				
3		*	26037200			SAFETY PLATE	1				
4		*	SS4110715SP			SCREW 11/64-40 L=7	2				
5		*	SM4040655SP			SCREW M4 L=6	2				
6		*	WP0450801SD			WASHER 4.5X10X0.8	2				
7			WP0871602SE			WASHER 8.7X18X1.6	1				
8			NM6080721SE			NUT M8	1				
9			EA9500B0100			CABLE BAND	5				
10			14444657			ELECTROMAGNETIC VALV	1				
11			26234005			VINYL COVER	1				
12			MAO11532000			CORD STAPLE	10				
13			14442008			NEEDLE PLATE AUXILIARY	1				FOR AW-2D
14			MDP170B2302			NEEDLE DPX17#23-2	1				G TYPE
15			14436406			BOBBIN	1				EXCEPT FOR A
16			B8202205000			OIL MANAGEMENT	1				
17			22932800			ACCESSORIE BAG	1				
18			22933006			SCREW DRIVER,LARGE	1				
19			22933105			SCREW DRIVER,MIDDLE	1				
20			22933204			SCREW DRIVER,SMALL	1				
21			B9121012000			OIL CAN	1				
22			B9140372000			HEXAGONAL WRENCH, SM	1				
23			10038909			HEXAGONAL WRENCH	1				
24			J106600000D			HEXAGONAL WRENCH KE	1				
25			GCT02906000			HEXAGONAL SPANNER	1				
26			B91212200A0			OILER (CONTAINING NO.2	1				
27			MDP170B2602	MDP170B1800	Disconinue	NEEDLE DPX17 #26-2	1				Z TYPE(EXCEPT
28			MDP170B1802	MDP170B1800		NEEDLE DPZ17#18-2	1	1.00			H TYPE
29			SK3311601SE			WOOD SCREW D=3.1 L=16	4				
30			MDP170B2502			NEEDLE DPX17 #25-2	1				Z TYPE(FOT US
31			M964051000A			CABLE CLIP	1				Z TYPE
32			SM6067552TP			HEXAGONAL-HOLE BOLT	1				
33			NM6060001SC			NUT M6	1				
34			WP0651646SC			WASHER	1				
35			BT0600401EB			TUBE	1				
36			PB000010000			HOSE BAND	1				
37			PJ309520001			SOCKET	1				
38			SK3382001SE			SCREW D=3.8 L=20	1				Z TYPE
39			B8103980000	26037903		CHAIN	1	1.00			EXCEPT FOR A
40			B8133019000	13160304		S SHAPED HOOK	2	1.00			EXCEPT FOR A
41			B2564215000			SPONGE	1				
42			B1113223C00			COVER SUPPORTER	4				
43			SS7110840SP			SCREW 11/64-40 L=7.8	4				
44			WP0520656SA			WASHER 5.2X9.5X0.6	4				
45			SS6110610TP			SCREW 11/64-40 L=6	4				
46			14223010			NEEDLE PLATE SUPPORT	1				EXCEPT FOR A
47			B47152150A0			FILTER REGULATOR ASM.	1				
48		*	G8124270000	B47152150A0		AIR PRESSUE SWITCH	1	1.00	選択部品	MEB-3200,LK-1	
48		*	G8124270000	G85048750A0		AIR PRESSUE SWITCH	1	1.00	選択部品	AVP-875	
48		*	G8124270000	40030951		AIR PRESSUE SWITCH	1	1.00	選択部品	AMS-210EN,AM	
49		*	PJ309005203			QUICK JOINT PLUG	1				
50		*	G5430116000	40030951		AIR COCK	1	1.00			
51		*	PF0552040B0		Disconinue	FILTER REGULATOR	1				
52		*	PJ030520001			RING JOINT (NIPPLE)	2				
53		*	PJ305065202			TEE	1				
54		*	HK034610040			HOUSING	1				
55		*	EA9500B0100			CABLE BAND	5				
56		*	PX950009000			PLUG	1				
57		*	HK034640000			PIN CONTACT	3				
58			B8211206000		Disconinue	FILTER INSTALLING PLATI	1				

ACCESSORIE PART COMPONENTS



ACCESSORIE PART COMPONENTS

No.	C- ons	Le- vel	Parts No.	Replacement	Supply Code	Parts name	Qty	R- ep- Q- TY	Status	Spec	Remarks
59			SL4051091SC			SCREW M5X0.8 L=10	2				
60			SL9082093SE			SCREW	1				

TABLE COMPONENTS (EXCEPT FOR AW-2D)

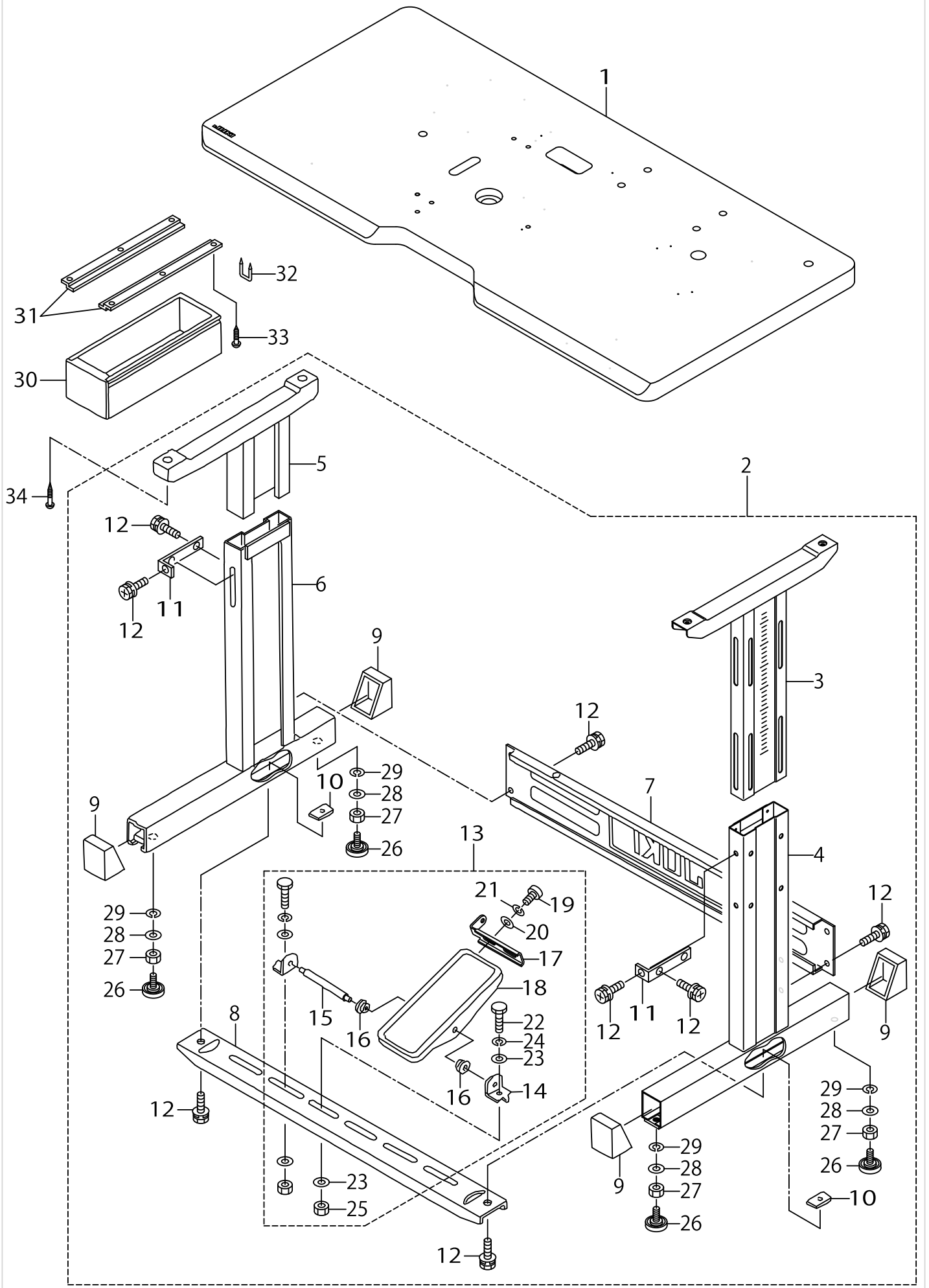
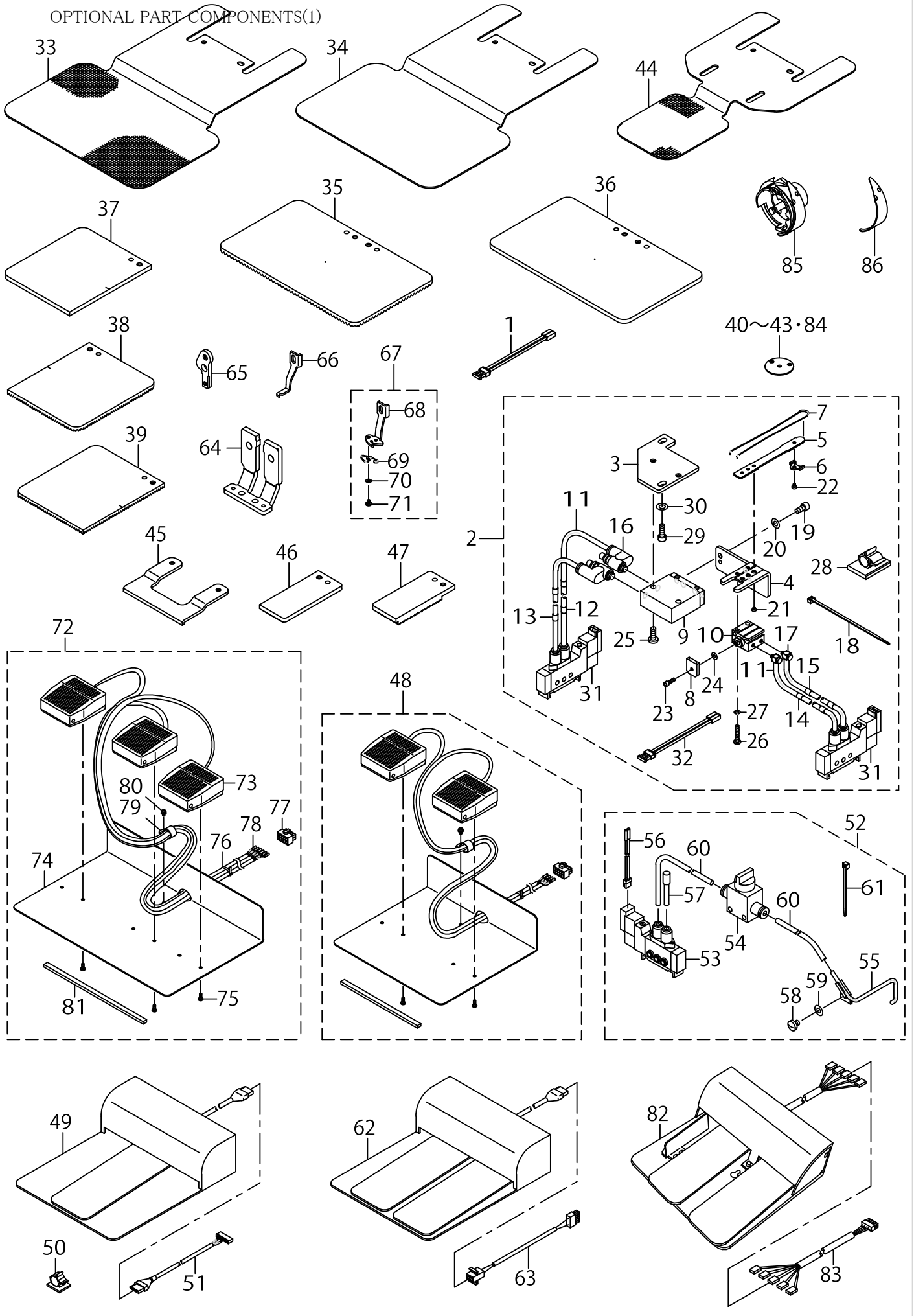


TABLE COMPONENTS (EXCEPT FOR AW-2D)

No.	C- ons	Le- vel	Parts No.	Replacement	Supply Code	Parts name	Qty	R- ep. Q- TY	Status	Spec	Remarks
1			14117519	14117550		UPRIGHT TABLE	1	1.00			
2			14118053			T-STAND COMPL.	1				
3		*	14118152			UPPER STAND ASM.,RIGHT	1				
4		*	14118251			STAND ASM.,RIGHT	1				
5		*	B8101210AAB			UPPER STAND ASM.	1				
6		*	B8105210AAA			STAND ASM.	1				
7		*	11158300		Disconinue	STAND SIDE SUPPORT	1				
8		*	11158409			STAND SIDE SUPPORT	1				
9		*	11158607			RUBBER CAP	4				
10		*	17007402			NUT	2				
11		*	11158516			UPPER STAND PLATE	2				
12		*	SL9082091SE			WASHER HEXAGONAL BO	12				
13		*	13817754			Z-STAND PEDAL ASM.	1				
14		*	11159001			PEDAL SHAFT BRACKET	2				
15		*	B8153771000			PEDAL CONNECTING ROD	1				
16		*	D8113555B00			PEDAL BUSHING	2				
17		*	GPF06080000			PEDAL ADJUSTING PLATE	1				
18		*	GPF060600A0			PEDAL ASM.	1				
19		*	SM9061203SE			SCREW M6 L=12	2				
20		*	WP0671016SE			WASHER 6.7X13X1	2				
21		*	WS0621210KR			SPRING WASHER 6.2X11.4	2				
22		*	SM9082023SE			SCREW M8 L=20	2				
23		*	WP0871602SE			WASHER 8.7X18X1.6	4				
24		*	WS0861410KR			SPRING WASHER 8.6X15X1	2				
25		*	NM6080721SE			NUT M8	2				
26		*	B81085550A0			ADJUSTING SCREW ASM. V	4				
27		*	NM6120001SE			NUT M12	4				
28		*	WP1302501SE			WASHER M12	4				
29		*	WS1253010KN			SPRING WASHER 12.5X21.5	4				
30			11155108	11155157		DRAWER	1	1.00			
31			11155207			DRAWER SUPPORT	2				
32			D8204555D00			DRAWER STOPPER	1				
33			SK3311601SE			WOOD SCREW D=3.1 L=16	6				
34			SK3513201SE			WOOD SCREW D=5.1 L=32	4				

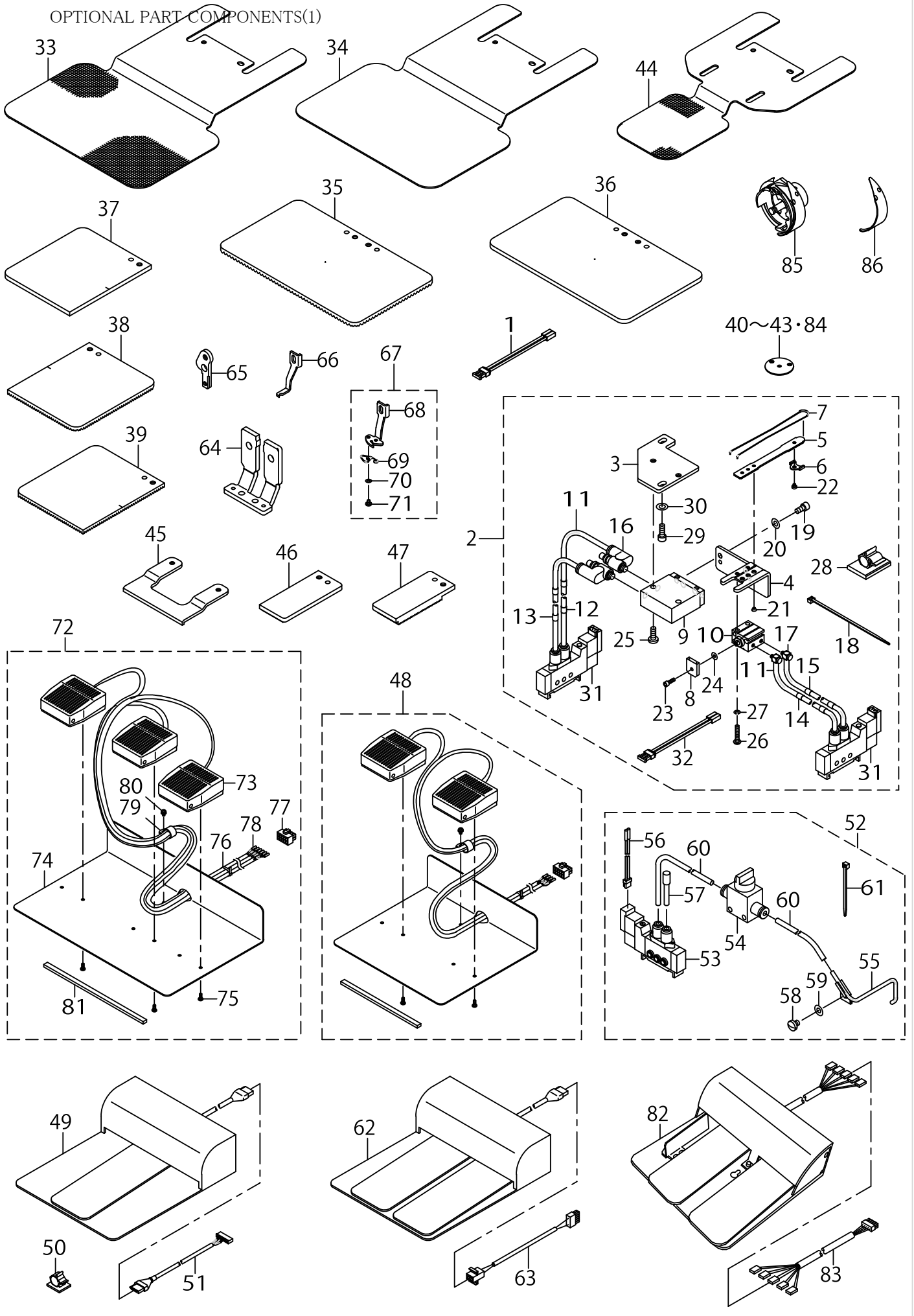
OPTIONAL PART COMPONENTS(1)



OPTIONAL PART COMPONENTS(1)

No.	C- ons	Le- vel	Parts No.	Replacement	Supply Code	Parts name	Qty	R- ep- Q- TY	Status	Spec	Remarks
1			14204754			SOLENOID VALVE CONNE	1				
2			14445050		Disconinue	THREAD CLAMP DEVICE A	1				
3		*	14445407		Disconinue	THREAD CLAMP BASE	1				
4		*	14445308		Disconinue	THREAD CLAMP CYLINDE	1				
5		*	14445100		Disconinue	THREAD CLAMP GUIDE A	1				
6		*	14445209		Disconinue	THREAD CLAMP GUIDE B	1				
7		*	14445506		Disconinue	THREAD CLAMP WIRE	1				
8		*	14445605		Disconinue	THREAD CLAMP WIRE JOI	1				
9		*	PA100101900			AIR CYLINDER	1				
10		*	PA060060100			AIR CYLINDER	1				
11		*	BT0400251EB			URETHANE HOSE, BLACK	1				
12		*	HX00295000F			WIRE MARK (7)	1				
13		*	18035709			WIRE MARK (8)	2				
14		*	18035808			WIRE MARK (9)	2				
15		*	18035907			WIRE MARK (10)	2				
16		*	PC010519000			SPEED CONTROLLER	2				
17		*	PJ046039001			ELBOW	2				
18		*	EA9500B0100			CABLE BAND	2				
19		*	SM6040802TP			SCREW M4X0.7 L=8	2				
20		*	WP0430801SE			WASHER 4.3X9X0.8	2				
21		*	SS1060210TP			SCREW 3/32-56 L=2.2	3				
22		*	SS6060210SP			SCREW 3/32-56 L= 1.9	1				
23		*	SM6850802TN			SCREW M2.5 L=8	1				
24		*	WP0250501SC			WASHER 2.5X6.5	2				
25		*	SS7111810TP			SCREW 11/64-40 L=18	2				
26		*	SM4031601SN			SCREW M3X0.5 L=16	2				
27		*	WS0310002KR			SPRING WASHER 3.1X5.9X0	2				
28		*	HX00305000A			WIRE HARNESS PARTS	3				
29		*	SS6110610TP			SCREW 11/64-40 L=6	2				
30		*	WP0520656SA			WASHER 5.2X9.5X0.6	2				
31		*	PV150209000			5 PORT SOLENOID VALVE	2				
32		*	14204754			SOLENOID VALVE CONNE	2				
33			14224000			LOWER PLATE BLANK	1				
34			14224109			LOWER PLATE BLANK	1				
35			B2553210D0A			FEEDING FRAME BLANK	1				
36			B2553210D0B			FEEDING FRAME BLANK	1				
37			B2554210D0A			FEEDING FRAME BLANK	1				
38			B2554210D0B			FEEDING FRAME BLANK,R	1				
39			B2554210D0C			FEEDING FRAME BLANK,L	1				
40			14439400			NEEDLE HOLE GUIDE D=2	1				H,G TYPE
41			14439509			NEEDLE HOLE GUIDE D=2	1				H,G TYPE
42			14439806			NEEDLE HOLE GUIDE D=3	1				HOT WIRE TYPI
43			14439905			NEEDLE HOLE GUIDE D=4	1				HOT WIRE TYPI
44			14444202			LOWER PLATE BLANK	1				
45			14444301			LOWER PLATE GUIDE	1				
46			14444004			OUTER FRAME RIGHT BLA	1				
47			14444103			OUTER FRAME LEFT BLAN	1				
48			M85205800A0			2-PEDAL ASM.	1				
49			GPK570010B0			PEDAL SWITCH ASM.	1				
50			E9607603000			STICKER (SMALL)	2				
51			M90135900A0			PK57 TRANSFER CABLE AS	1				
52			14225056			NEEDLE COOLER ASM.	1				
53		*	PV150209000			5 PORT SOLENOID VALVE	1				
54		*	PV010011000			VALVE	1				
55		*	B47202150A0			NEEDLE COOLER UNION	1				
56		*	14204754			SOLENOID VALVE CONNE	1				
57		*	PX500014000			PLUG	1				
58		*	SS7110510SP			SCREW 11/64-40 L=5	1				
59		*	WP0450000SD			WASHER 4.5X8X0.5	1				
60		*	BT0400251EB			URETHANE HOSE, BLACK	2				

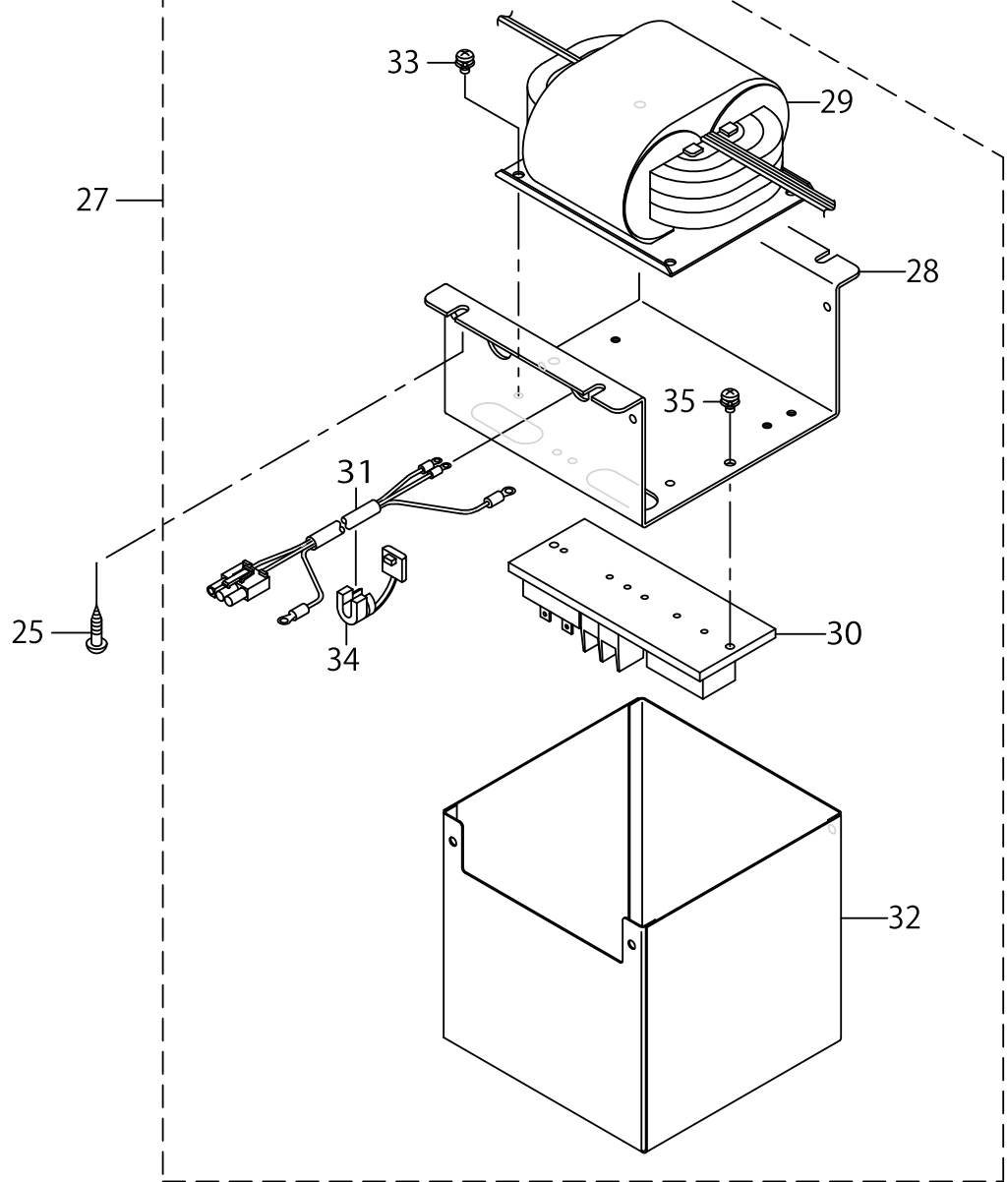
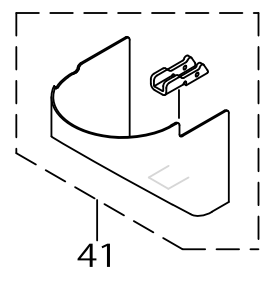
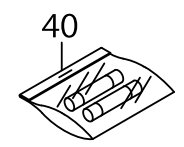
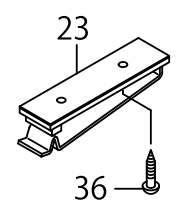
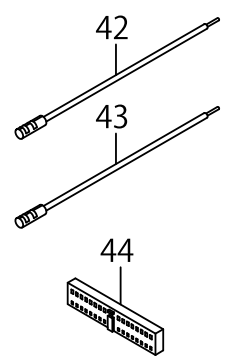
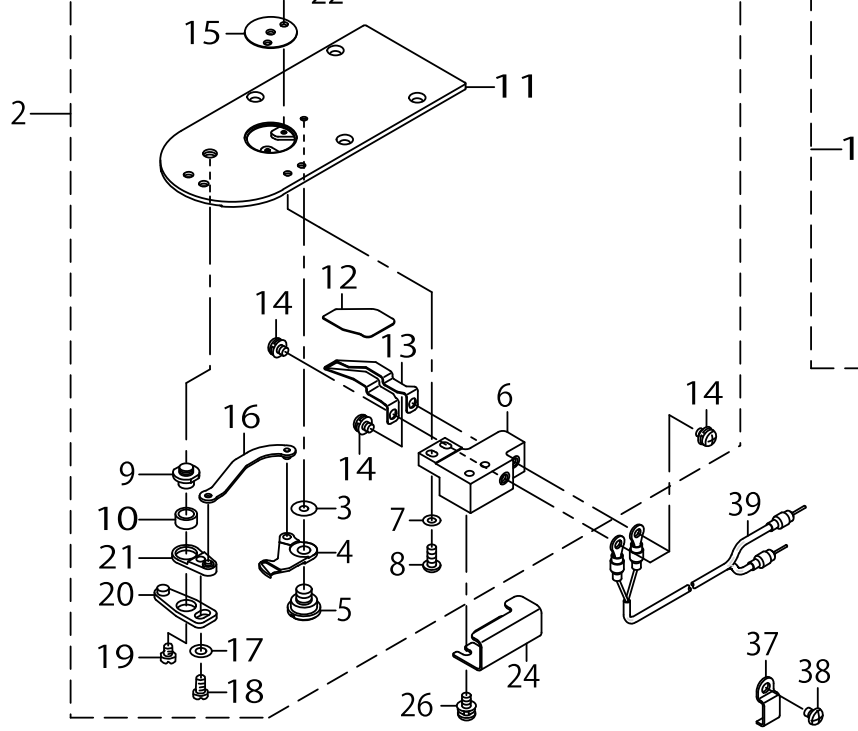
OPTIONAL PART COMPONENTS(1)



OPTIONAL PART COMPONENTS(1)

No.	C- ons	Le- vel	Parts No.	Replacement	Supply Code	Parts name	Qty	R- ep. Q- TY	Status	Spec	Remarks
61		*	HX002330000			CLIP	3				
62			M85905130AA			PEDAL SWITCH ASM.	1				
63			M90315800A0			2-PEDAL CONNECTING CO	1				
64			14437255			SLIDER PLATE COMPL.	1				
65			14445902			WIPER BASE	1				
66			14446009			WIPER	1				
67			14446157			THREAD CLAMP WIPER AS	1				
68		*	14446108			THREAD CLAMP WIPER	1				
69		*	14147805			SPRING	1				
70		*	WP0280500SC			WASHER	2				
71		*	SS7060310SP			SCREW 3/32-56 L=3	2				
72			M85215800A0			3-PEDAL ASM.	1				
73		*	HA004260000			FOOT SWITCH	3				
74		*	M1016580000			SW. MOUNT PLATE,B	1				
75		*	ST5041051SN			SCREW	6				
76		*	EA9500B0100			CABLE BAND	4				
77		*	HK034610100			10P CONNECTOR	1				
78		*	HK034640000			PIN CONTACT	6				
79		*	EA9502B0500			CABLE CLIP	1				
80		*	SL4040881SF			SCREW M4 L=8	1				
81		*	GPK26002000			PEDAL BASE RUBBER	1				
82			GPK470010AB			3-PEDAL ASM.	1				
83			M90255800A0			PEDAL SW.TRANSFER CAB	1				
84			14440101			ELLIPSE NEEDLE HOLE GU	1				G TYPE
85			14436703			LUBRICATION HOOK B AS	1				
86			40019012			SCREW 11/64-40 L=5	1				Z TYPE

OPTIONAL PART COMPONENTS (2)



OPTIONAL PART COMPONENTS(2)

No.	C- ons	Le- vel	Parts No.	Replacement	Supply Code	Parts name	Qty	R- ep. Q- TY	Status	Spec	Remarks
1			14447056			HOT WIRE THREAD TRIMM	1				H,G TYPE
2		*	40023523			HOT WIRE NEEDLE ASM	1				
3		*	B242328000B			MOVING KNIFE WASHER B	1				
4		*	14441208			MOVING KNIFE	1				
5		*	B2417210000			MOVING KNIFE HINGE SCF	1				
6		*	40022013			HOT WIRE BASE ASM	1				
7		*	WP0371016SD			WASHER 3.7X8X1	2				
8		*	SS4091015SP			SCREW 9/64-40 L=10	2				
9		*	B2417280000			THREAD CUTTER LEVER S	1				
10		*	B2416280000			THREAD CUTTING LEVER	1				
11		*	14439103			NEEDLE PLATE	1				
12		*	40039621			INSULATING SHEET B	1				
13		*	40022223			HOT WIRE PLATE	1				
14		*	SL4040681SC			COMBINATION SCREW M4	4				
15		*	14440002			ELLIPSE NEEDLE HOLE GU	1				
16		*	14440457			MOVING KNIFE LINK COM	1				
17		*	WP0450846SP			WASHER	1				
18		*	SS7110740TP			SCREW 11/64-40 L=7	1				
19		*	SS6110430TP			SCREW 11/64-40 L= 4.0	1				
20		*	B24142800A0			THREAD CUTTER LEVER A	1				
21		*	14440556			LEVER TYPE COMPL.	1				
22		*	SS1060210TP			SCREW 3/32-56 L=2.2	2				
23		*	M964051000A			CABLE CLIP	1				
24		*	14441901			HOT WIRE BASE COVER	1				
25		*	SK3482001SE			WOOD SCREW D=4.8 L=20	4				
26		*	SL4041091SC			SCREW M4 L=10	2				
27		*	M85215940A0			HEATER UNIT ASM.	1				
28		*	M1022594000			TRANSFORMER FITTING B	1				
29		*	M89025940A0			HEATER TRANSFORMER A	1				
30		*	M85225940A0			HEATER SWITCH ASM.	1				
31		*	M90215940A0			HEATER POWER SOURCE	1				
32		*	MAT00616000			CONTROL UNIT COVER	1				
33		*	SL4040881SF			SCREW M4 L=8	4				
34		*	HX004100000			BUSH	1				
35		*	SL4040881SF			SCREW M4 L=8	2				
36		*	SK3382001SE			SCREW D=3.8 L=20	2				
37		*	B3509210000			OIL TUBE HOLDER C	3				
38		*	SS4110515SP			SCREW 11/64-40 L=5	3				
39		*	14442255			HEATER CORD ASM.	1				
40		*	M85995940A0			ACCESSORIE PART ASM.	1				
41		*	14435358			HOOK COVER ASM.	1				
42			M90325800A0			I/O CORD (RED) ASM.	1				
43			M90335800A0			I/O CORD (BLACK) ASM.	1				
44			HK014820340			CONNECTOR 34P	1				

As the place changed, refer to the corresponding Rev.No.
 When previous parts(Obsoleted part)and new parts(Added parts)are
 not interchangeable with each other:
 In this case,even obsoleted parts(D.)can be ordered with the
 obsoleted part number,so select the parts with changed dates and
 place your orders.

変更箇所は、該当Rev.No.版をご参照ください。
 部品の互換性がない変更の場合は、削除された品番でも、ご注文できます。
 29337904

No.1283-09 Rev.No.

*A:Added parts追加部品/D:Obsoleted parts削除部品/E:Erratum訂正

* Rev. No.	Page 頁	Ref. No.	Parts No. 品番	* Rev. No.	Page 頁	Ref. No.	Parts No. 品番
D 08	4	16	CM-3012000-02	A 09	4	16	CM-3012000-01
				A 09	4	50	CM-6001001-01
				A 09	12	15	400-86483
				A 09	26	49	EA-9500B02-00
				A 09	28	2	400-62684
D 08	28	15	229-31208				
				A 09	28	15	229-30556
D 08	28	19	WP-1702600-S0	A 09	28	19	WP-1612616-SE
				A 09	28	20	WS-1643202-KR
D 08	44	42	144-35309				
D 08	44	43	135-08601				

NUMERICAL INDEX OF PARTS

PART NO	PAGE	REF NO.	PART NO	PAGE	REF NO.	PART NO	PAGE	REF NO.
10006005	24	51	14109250	28	26	14219604	38	25
10038909	52	23	14109300	28	16	14219711	38	26
10126704	38	42	14112502	32	10	14220503	4	66
10502300	2	17	14113450	2	47	14220750	2	54
10570307	26	63	14114300	38	3	14221253	32	51
11043304	28	8	14114409	38	4	14221352	32	52
11072402	2	50	14114508	8	33	14223010	52	46
11072709	22	13	14114607	38	13	14224000	58	33
11155108	56	30	14115356	10	62	14224109	58	34
11155207	56	31	14115653	6	32	14225056	58	52
11158300	56	7	14117519	56	1	14404107	8	41
11158409	56	8	14118053	56	2	14431407	8	2
11158516	56	11	14118152	56	3	14431605	10	59
11158607	56	9	14118251	56	4	14431704	8	6
11159001	56	14	14147805	60	69	14431803	8	9
11404308	6	14	14200802	2	22	14431852	8	7
12219705	38	33	14200901	4	65	14431902	10	65
13502307	2	60	14201602	6	1	14432009	8	15
13508403	18	9	14203806	12	11	14432157	8	13
13508700	18	18	14203905	12	12	14432306	18	32
13518501	18	35	14204754	58	56	14432454	18	34
13530308	38	45	14204911	12	2	14432504	18	36
13530357	38	44	14206650	14	36	14432702	8	43
13705108	6	11	14208409	14	3	14432959	24	60
13788302	24	21	14209308	14	38	14433007	26	67
13816855	18	16	14214019	32	13	14433106	26	69
13817408	24	15	14214308	32	45	14433205	26	66
13817754	56	13	14214712	32	22	14433601	14	13
13860200	14	50	14214902	32	37	14433858	14	27
13860606	14	51	14215057	32	38	14433908	14	30
14100309	2	12	14215305	32	41	14434005	14	22
14100408	2	2	14215404	32	40	14434104	14	26
14100457	2	1	14215602	32	57	14434203	14	24
14100705	2	6	14215701	32	14	14434302	14	32
14100754	2	5	14215909	34	58	14434401	14	21
14101208	4	61	14216006	32	53	14434500	14	4
14102404	8	1	14216204	34	59	14434609	14	8
14102503	8	5	14216303	32	3	14434708	14	18
14107502	24	1	14216352	32	1	14434807	14	42
14107700	24	2	14216410	32	7	14435200	20	63
14108500	28	2	14217202	36	3	14435358	18	7
14108609	28	3	14217301	36	38	14435358	62	41
14108807	28	6	14217400	36	39	14435507	18	1
14108906	28	7	14218002	36	4	14435606	18	5
14108955	28	5	14219513	38	12	14435705	18	6

NUMERICAL INDEX OF PARTS

PART NO	PAGE	REF NO.	PART NO	PAGE	REF NO.	PART NO	PAGE	REF NO.
14435804	18	11	14440101	60	84	14446603	20	61
14435903	18	13	14440309	30	14	14447056	62	1
14436000	18	20	14440457	30	40	14447106	18	25
14436158	18	22	14440457	62	16	14447205	18	26
14436208	18	56	14440556	30	45	14447304	18	27
14436257	18	55	14440556	62	21	14447403	18	28
14436307	18	24	14441000	30	15	14447502	18	29
14436406	18	52	14441109	30	24	14447908	32	17
14436406	52	15	14441208	30	36	14448005	32	21
14436554	18	23	14441208	62	4	14449250	32	6
14436604	30	54	14441901	30	52	17007402	56	10
14436703	60	85	14441901	62	24	17845009	42	13
14436802	36	1	14442008	52	13	18035709	58	13
14436901	36	13	14442255	30	49	18035808	58	14
14437057	36	7	14442255	62	39	18035907	58	15
14437156	36	8	14442305	24	59	21060009	24	53
14437255	60	64	14442404	28	28	22528509	24	54
14437651	22	1	14442503	6	37	22684906	14	7
14437750	22	2	14442552	6	36	22901805	6	3
14437800	22	7	14442651	6	42	22904155	8	26
14437909	22	8	14443006	2	24	22906408	8	49
14438006	22	9	14443105	2	25	22906457	8	48
14438105	22	10	14443204	38	2	22907554	14	1
14438204	22	11	14443303	38	7	22917058	36	34
14438303	22	12	14443402	38	40	22917157	24	36
14438402	24	55	14444004	58	46	22920508	6	10
14438550	24	56	14444103	58	47	22921506	28	31
14438568	24	48	14444202	58	44	22924005	22	28
14438659	24	38	14444301	58	45	22928808	28	30
14438709	24	20	14444657	52	10	22930309	40	14
14438808	28	52	14445050	58	2	22930358	40	1
14438907	28	27	14445100	58	5	22930408	40	10
14439004	28	34	14445209	58	6	22930507	40	9
14439103	30	32	14445308	58	4	22930556	40	15
14439103	62	11	14445407	58	3	22930705	40	7
14439152	30	1	14445506	58	7	22930804	40	17
14439251	30	2	14445605	58	8	22930903	40	16
14439400	58	40	14445902	60	65	22931000	40	4
14439509	58	41	14446009	60	66	22931109	40	3
14439608	30	3	14446108	60	68	22931307	40	11
14439707	30	4	14446157	60	67	22931406	40	8
14439806	58	42	14446207	18	57	22932800	52	17
14439905	58	43	14446306	18	58	22933006	52	18
14440002	30	29	14446405	18	59	22933105	52	19
14440002	62	15	14446504	18	60	22933204	52	20

NUMERICAL INDEX OF PARTS

PART NO	PAGE	REF NO.	PART NO	PAGE	REF NO.	PART NO	PAGE	REF NO.
22951008	28	20	40011144	2	35	B1144210000	8	37
23630007	38	19	40011360	20	62	B1202210000	8	3
23636657	2	46	40014007	14	11	B1203215000	8	4
23638109	6	38	40019012	60	86	B1212210D00	8	38
23638208	6	40	40020225	2	23	B1223771000	10	66
23638307	6	39	40022013	30	37	B1223771000	18	14
23638406	6	41	40022013	62	6	B1223771000	28	22
26037200	52	3	40022188	18	39	B1231210D00	10	64
26203208	8	44	40022222	2	36	B1306155000	8	11
26211607	2	9	40022223	30	34	B13061550A0	8	10
26211755	2	8	40022223	62	13	B1403280000	8	45
26211904	6	7	40022224	2	37	B1404280000	8	20
26212803	8	52	40022226	2	39	B1406210000	8	47
26218404	24	6	40023523	30	28	B1411804000	8	18
26218602	28	33	40023523	62	2	B1411804A00	18	43
26218651	28	29	40025746	14	35	B1411804B00	18	44
26220400	28	32	40026917	10	55	B1411804C00	18	45
26221101	18	17	40028986	32	54	B1411804D00	18	46
26221200	18	40	40031323	14	39	B1414232000	8	51
26223305	32	19	40031324	14	56	B1414232000	32	18
26226506	28	24	40039621	30	33	B1456057000	32	16
26229302	24	24	40039621	62	12	B151902600G	32	48
26230706	38	11	40045548	10	68	B160122000J	14	12
26231407	38	16	40045549	14	47	B1626220000	36	30
26231902	38	29	40045550	14	57	B1633210D00	14	40
26234005	52	11	40045552	14	58	B1634210D00	14	16
26260208	2	26	40045553	14	59	B1652704000	28	15
26260307	2	27	40051987	52	2	B1820210D00	38	39
26260406	2	28	40052806	52	1	B1821210D00	38	9
26260505	2	29	40053326	10	63	B1901210DA0	8	14
26260604	2	30	40058948	42	2	B1903210000	8	16
26260802	2	31	40062684	40	2	B1903552000	8	19
26261305	2	32	40086483	18	15	B1904280000	8	21
26261503	2	33	40222225	2	38	B1905541000	8	17
26261701	2	34	A1230500000A	8	36	B2014372000A	26	70
26500900	24	4	B1111210D00	6	47	B2019372000	24	44
26501205	28	1	B1113223C00	38	38	B2106220000	22	14
26501304	24	5	B1113223C00	52	42	B2107210000	22	15
26501403	32	2	B1115210D00	6	46	B23022050AA	24	9
26501502	32	8	B1116210D00	4	63	B2302280000	24	10
26501908	28	4	B1116804000	28	23	B2304210D00	24	3
26502906	14	10	B1123210D00	6	24	B2305205000	24	50
40009290	6	5	B1125210D00	6	26	B2313280000	24	57
40009290	24	35	B1125215P00	6	9	B2401210D00	28	17
40010414	6	4	B1129210000	6	8	B2408210D00	28	18

NUMERICAL INDEX OF PARTS

PART NO	PAGE	REF NO.	PART NO	PAGE	REF NO.	PART NO	PAGE	REF NO.
B2411210000	28	25	B3501210000	38	10	CS079073BSH	32	36
B24142800A0	30	44	B3509210000	30	57	CS080081BSH	28	35
B24142800A0	62	20	B3509210000	62	37	CS0801011TH	20	64
B2416280000	30	46	B3509220000	38	17	CS095081ASH	32	12
B2416280000	62	10	B3518280000	38	36	CS100081CSP	14	23
B2417210000	30	31	B3523980000	38	31	CS100081CSP	18	8
B2417210000	62	5	B3541012000	38	8	CS1201010SH	18	2
B2417280000	30	47	B471122000C	36	41	CS147121ESH	10	58
B2417280000	62	9	B471122000D	36	40	D2502232D00	36	31
B242328000A	30	8	B471122000E	22	16	D2587L8WB00	14	37
B242328000B	30	48	B471122000F	22	17	D2587L8WB00	28	38
B242328000B	62	3	B471122000G	36	43	D2588L8WB00	28	39
B242328000C	30	10	B471122000H	36	42	D3112L4BB00	24	13
B242328000D	30	11	B47152150A0	52	47	D3127555B00	24	46
B242328000E	30	12	B47202150A0	58	55	D7133555B00	2	49
B2509704000	32	15	B8101210AAB	56	5	D8113555B00	56	16
B2545280000	24	7	B8103980000	52	39	D8204555D00	56	32
B2553210D0A	58	35	B8105210AAA	56	6	E1612173000	14	54
B2553210D0B	58	36	B81085550A0	56	26	E2193172000	36	32
B2554210D00	36	6	B8133019000	52	40	E2691453000	12	9
B2554210D0A	58	37	B8153771000	56	15	E2692453000	12	10
B2554210D0B	58	38	B8202205000	52	16	E2697453000	12	17
B2554210D0C	58	39	B8211206000	52	58	E2993453000	12	4
B255728000B	14	6	B9121012000	52	21	E8523304000	44	22
B255728000C	36	2	B91212200A0	52	26	E9567319000	42	16
B2561210D00	36	12	B9140372000	52	22	E9607603000	42	54
B2564215000	52	41	BP500000000	38	46	E9607603000	58	50
B2566210D00	36	10	BP600000000	38	20	E9609603000	42	17
B2572210D00	36	5	BT0400251EB	14	48	EA9500B0100	6	44
B2583210D00	44	31	BT0400251EB	22	18	EA9500B0100	22	29
B2610210D00	36	9	BT0400251EB	36	33	EA9500B0100	36	44
B2617771000	28	46	BT0400251EB	58	60	EA9500B0100	38	22
B2626372000	38	34	BT0600401EB	52	35	EA9500B0100	52	55
B2702210000	24	19	BT0700500EA	38	1	EA9500B0100	58	18
B2703210000	2	19	CM200100001	42	14	EA9500B0100	60	76
B3119771000	24	39	CM300100001	42	15	EA9500B0200	32	55
B3120125000	24	40	CM300100101	42	43	EA9500B0200	38	49
B3120704000	24	52	CM300200002	6	17	EA9502B0500	44	15
B3125012000	24	49	CM301200001	6	16	EA9502B0500	60	79
B3126012000	2	48	CM600100101	6	50	G1216870000	8	27
B3126012000	24	43	CQ200000000	38	47	G2303270000	24	23
B3132012000	24	42	CQ202000000	38	5	G5430116000	52	50
B3132552000	24	18	CQ252000000	38	48	G5523880000	32	56
B3319704L00	26	68	CQ252200000	2	7	G6705152U0A	42	44
B3403761000	36	11	CQ252200000	38	21	G8124270000	52	48

NUMERICAL INDEX OF PARTS

PART NO	PAGE	REF NO.	PART NO	PAGE	REF NO.	PART NO	PAGE	REF NO.
GAF01007000	8	39	HX00305000A	58	28	M85995940A0	46	11
GAW02502AA0	18	41	HX004070000	42	24	M85995940A0	62	40
GCT02906000	52	25	HX004100000	42	25	M8601594AA0	42	1
GPF060600A0	56	18	HX004100000	46	8	M86045900C0	42	3
GPF06080000	56	17	HX004100000	62	34	M8604590AC0	42	4
GPK26002000	60	81	J106600000D	52	24	M86065940A0	44	4
GPK470010AB	60	82	M1001590000	42	18	M86075940A0	44	5
GPK570010B0	58	49	M10025920A0	42	49	M8901594AA0	42	11
HA001690010	2	53	M10035940A0	42	7	M8901594BA0	42	12
HA004250000	42	26	M1004581000	42	10	M89025940A0	46	3
HA004250000	50	15	M1007594000	42	56	M89025940A0	62	29
HA004260000	60	73	M1010590000	44	13	M89105900A0	42	5
HA006000000	22	6	M1011590000	44	12	M89105900A0	50	3
HD00057000A	32	25	M1012592000	44	9	M90015900A0	50	1
HD002230000	8	30	M1012594000	44	10	M90025800A0	50	9
HD002230000	44	29	M1016580000	60	74	M90085800A0	50	4
HF001301000	44	20	M1022594000	46	2	M90105810A0	50	2
HF002900300	44	23	M1022594000	62	28	M90115900A0	44	28
HF0041080P0	44	21	M1030590000	44	36	M90135900A0	58	51
HK014820340	62	44	M1031590000	44	27	M90145800A0	50	16
HK026650080	42	19	M300258000B	42	9	M90175800A0	50	12
HK034610020	22	3	M300259400A	44	6	M90195800A0	6	34
HK034610020	26	61	M300259400B	44	7	M90205800A0	50	5
HK03461002D	28	13	M300259400C	44	8	M9020580AA0	50	6
HK034610040	52	54	M3003580000	44	25	M90215940A0	46	5
HK034610100	60	77	M300359000A	42	8	M90215940A0	62	31
HK034640000	22	4	M300451100A	44	24	M90225900A0	50	7
HK034640000	28	14	M8002430000	2	4	M90235900A0	50	8
HK034640000	52	57	M85105810A0	42	50	M90245800A0	50	14
HK034640000	60	78	M8510594AA0	44	1	M90255800A0	60	83
HK03464000A	26	62	M8510594BA0	44	2	M90285800A0	50	13
HK054250040	42	20	M8510594CA0	44	3	M90315800A0	60	63
HM000630010	42	48	M85205800A0	58	48	M90315900A0	50	10
HW500070000	22	5	M85205900A0	44	26	M90325800A0	62	42
HX00056000B	42	22	M85205900A0	50	11	M90335800A0	62	43
HX001230000	44	30	M85205920A0	42	47	M90415900A0	48	4
HX00123000B	42	41	M85215800A0	60	72	M90425900A0	48	5
HX001470000	42	55	M85215940A0	46	1	M90435900A0	48	6
HX00147000C	42	23	M85215940A0	62	27	M90435920A0	48	7
HX00150000A	38	32	M85225940A0	46	4	M90445920A0	48	2
HX00150000E	2	57	M85225940A0	62	30	M90475900A0	48	3
HX00150000J	2	56	M85905130AA	60	62	M964051000A	46	12
HX00150000N	2	55	M85985920A0	48	1	M964051000A	48	8
HX002330000	60	61	M85995900A0	44	18	M964051000A	52	31
HX00295000F	58	12	M8599590AA0	44	19	M964051000A	62	23

NUMERICAL INDEX OF PARTS

PART NO	PAGE	REF NO.	PART NO	PAGE	REF NO.	PART NO	PAGE	REF NO.
MAO11532000	52	12	PJ046052503	36	36	SD0800331TH	44	32
MAT00616000	46	6	PJ304040504	22	20	SD0800341SP	16	61
MAT00616000	62	32	PJ304060001	12	7	SD0800431SP	14	31
MDP170B1800	10	57	PJ305065202	52	53	SD1100301TP	28	50
MDP170B1802	52	28	PJ309005203	52	49	SK3311601SE	52	29
MDP170B2300	10	60	PJ309520001	52	37	SK3311601SE	56	33
MDP170B2302	52	14	PS0400142KH	8	40	SK3382001SE	4	64
MDP170B2500	8	53	PV010011000	58	54	SK3382001SE	44	17
MDP170B2502	52	30	PV150209000	12	16	SK3382001SE	46	13
MDP170B2600	10	61	PV150209000	58	53	SK3382001SE	48	9
MDP170B2602	52	27	PV915005000	12	6	SK3382001SE	52	38
NM3034000SF	42	27	PX050003000	12	8	SK3382001SE	62	36
NM3040520SF	42	53	PX500014000	58	57	SK3482001SE	42	42
NM6040000SN	28	10	PX950009000	52	56	SK3482001SE	44	37
NM6050001SE	40	13	RC0150001KP	18	38	SK3482001SE	46	10
NM6050001SP	28	40	RC0560711KP	2	40	SK3482001SE	62	25
NM6060001SC	6	12	RC0740811KP	14	2	SK3513201SE	56	34
NM6060001SC	42	6	RC0841011KP	14	25	SL4030681SF	42	29
NM6060001SC	52	33	RC1411018KP	18	51	SL4030881SF	44	11
NM6080721SE	52	8	RE0300000K0	36	37	SL4030891SC	22	24
NM6080721SE	56	25	RE0400000K0	2	41	SL4030891SC	42	30
NM6120001SE	56	27	RE0500000K0	28	44	SL4031081SC	32	26
NM6160511SE	40	18	RE0500000K0	36	20	SL4031291SC	32	27
NM6540023SB	14	49	RE0600000K0	14	52	SL4040681SC	30	35
NS6110420SP	14	33	RO069180100	32	11	SL4040681SC	42	36
NS6110420SP	28	42	RO154240100	8	42	SL4040681SC	62	14
NS6110530SP	2	51	SB110000900	32	44	SL4040881SF	42	31
NS6120310SP	24	33	SB110001300	32	43	SL4040881SF	46	9
NS6120310SP	28	43	SB115000200	18	37	SL4040881SF	60	80
NS6160520SP	24	45	SB31000080A	18	47	SL4040881SF	62	35
NS6660410SH	28	9	SB31000080B	18	48	SL4041081SF	42	33
NS6660430SP	28	36	SB31000080C	18	49	SL4041091SC	30	53
PA060060100	58	10	SB31000080D	18	50	SL4041091SC	42	40
PA100101900	58	9	SD0500803TP	28	47	SL4041091SC	62	26
PA1501515A0	22	19	SD0530221SP	24	25	SL4041291SC	8	31
PA1602006A0	36	35	SD0640321SP	22	21	SL4041291SC	12	1
PA2501506A0	14	45	SD0640391TP	24	27	SL4041291SC	44	34
PB000010000	52	36	SD0640482SP	24	28	SL4051091SC	42	39
PC010519000	58	16	SD0640602SP	22	23	SL4051091SC	54	59
PC012401000	36	45	SD0650305TP	28	48	SL6052092TN	8	34
PF0552040B0	52	51	SD0720321TP	24	26	SL9082091SE	56	12
PH1000332SH	14	20	SD0790311TP	28	49	SL9082093SE	54	60
PJ030520001	52	52	SD0800321TH	16	62	SM1040801SP	36	14
PJ032052503	14	44	SD0800321TH	18	33	SM1044050SM	42	52
PJ046039001	58	17	SD0800331TH	22	22	SM3065052TC	42	45

NUMERICAL INDEX OF PARTS

PART NO	PAGE	REF NO.	PART NO	PAGE	REF NO.	PART NO	PAGE	REF NO.
SM4021201SC	6	43	SS4110515SP	62	38	SS6151812TP	24	32
SM4031601SN	58	26	SS4110715SP	2	58	SS6681712TP	8	23
SM4031851SR	42	34	SS4110715SP	32	29	SS7060310SP	60	71
SM4040601SC	44	33	SS4110715SP	52	4	SS7080510TP	8	54
SM4040655SP	52	5	SS4110815SP	6	27	SS7090410SP	12	13
SM4051405SE	40	12	SS4110915SP	2	21	SS7090410SP	30	16
SM4060801SE	8	32	SS4111015SP	2	11	SS7091110TP	14	15
SM5030655SN	2	42	SS4111415SP	36	21	SS7110410SP	32	33
SM6040602TP	28	37	SS4150715SP	6	23	SS7110510SP	58	58
SM6040802TP	36	15	SS4150715SP	36	17	SS7110710SP	30	56
SM6040802TP	58	19	SS4150715SP	38	23	SS7110730SP	6	6
SM6041202TP	36	16	SS4151215SP	2	15	SS7110740TP	28	54
SM6050802TP	22	25	SS4151215SP	12	3	SS7110740TP	30	42
SM6053502TP	14	53	SS4151215SP	18	53	SS7110740TP	62	18
SM6060802TP	36	18	SS6060210SP	58	22	SS7110810SP	14	19
SM6061610SC	40	21	SS6090612TP	6	2	SS7110840SP	6	45
SM6067552TP	6	48	SS6090630TP	22	26	SS7110840SP	8	35
SM6067552TP	52	32	SS6090670TP	8	50	SS7110840SP	14	46
SM6850802TN	58	23	SS6092120SP	38	24	SS7110840SP	18	42
SM8040412TP	26	65	SS6110420TP	32	46	SS7110840SP	22	31
SM8040600SP	10	56	SS6110430TP	30	43	SS7110840SP	28	55
SM8040802TP	2	43	SS6110430TP	62	19	SS7110840SP	36	23
SM8050502TP	2	44	SS6110480SP	32	42	SS7110840SP	38	14
SM8050812TP	14	43	SS6110480SP	38	41	SS7110840SP	52	43
SM8053002TP	28	19	SS6110560TP	18	30	SS7111120TP	24	31
SM8060612TP	8	28	SS6110610TP	6	18	SS7111810TP	58	25
SM8060612TP	32	50	SS6110610TP	28	57	SS7150910TP	14	60
SM8060812TP	8	46	SS6110610TP	32	34	SS7151120SP	8	25
SM8061612TP	8	29	SS6110610TP	52	45	SS7161040SP	6	35
SM9061203SE	56	19	SS6110610TP	58	29	SS7661540SP	18	54
SM9061403CP	36	19	SS6110810TP	24	29	SS8090610SP	24	58
SM9082023SE	56	22	SS6110810TP	26	64	SS8110510SP	24	37
SS1060210TP	30	30	SS6111052TP	24	22	SS8150822TP	18	10
SS1060210TP	58	21	SS6111140SP	2	3	SS8150822TP	28	58
SS1060210TP	62	22	SS6111140SP	4	62	SS8660330SP	8	8
SS1110640TP	30	51	SS6111140SP	22	30	SS8660410SP	18	19
SS1110840SP	2	14	SS6111140SP	32	31	SS8660512TP	8	24
SS1110840SP	10	69	SS6111610SP	38	35	SS8660522TP	18	12
SS4090515SP	24	30	SS6120930SP	28	56	SS8660612TP	14	9
SS4090715SP	2	20	SS6120930SP	38	6	SS8660612TP	32	23
SS4091015SP	30	39	SS6151142TP	14	29	SS8660810TP	8	12
SS4091015SP	62	8	SS6151220SP	18	21	SS8661012TP	28	59
SS4110515SP	6	33	SS6151220SP	32	49	SS9111010SP	12	14
SS4110515SP	30	58	SS6151412TP	8	22	ST40316110R	44	14
SS4110515SP	38	30	SS6151440SP	32	39	ST5041051SN	60	75

NUMERICAL INDEX OF PARTS

PART NO	PAGE	REF NO.	PART NO	PAGE	REF NO.
SV4031006SR	44	16	WP0871602SE	56	23
TA0550604R0	38	37	WP0951016SP	14	41
TA0750704R0	6	29	WP1302501SE	56	28
TA1050504R0	2	59	WP1612616SE	40	19
TA1050504R0	6	30	WS0310002KR	58	27
TA1250406R0	2	18	WS0310702KS	42	35
TA1250406R0	6	31	WS0410002KP	36	29
TA1270502R0	6	13	WS0510002KN	40	5
TA2100904R0	6	25	WS0610002KN	10	67
WP0250501SC	58	24	WS0610002KN	42	21
WP0280500SC	60	70	WS0621210KR	56	21
WP0330516SC	2	45	WS0861410KR	56	24
WP0371016SD	14	14	WS1253010KN	56	29
WP0371016SD	22	27	WS1643202KR	40	20
WP0371016SD	30	38			
WP0371016SD	62	7			
WP0430801SC	44	35			
WP0430801SE	58	20			
WP0450000SD	28	12			
WP0450000SD	36	24			
WP0450000SD	38	43			
WP0450000SD	58	59			
WP0450801SD	52	6			
WP0450846SP	30	55			
WP0450846SP	62	17			
WP0451026SH	28	53			
WP0480856SP	36	25			
WP0482086SD	24	8			
WP0501016SD	28	45			
WP0520656SA	52	44			
WP0520656SA	58	30			
WP0553216SD	28	21			
WP0600816SP	14	28			
WP0612066SP	14	34			
WP0621016SD	36	27			
WP0621026SP	14	55			
WP0641600SC	28	51			
WP0641601SD	18	31			
WP0651001SC	42	46			
WP0651056SD	24	34			
WP0651646SC	6	49			
WP0651646SC	52	34			
WP0671016SE	56	20			
WP0722316SH	24	47			
WP0871602SE	52	7			